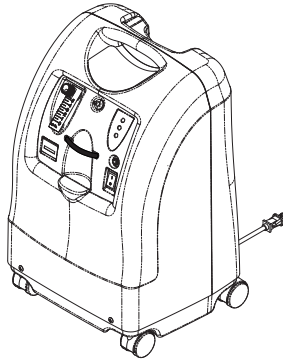


User Manual

Perfecto₂[™] Series

Oxygen Concentrators without SensO₂[®],
Oxygen Concentrators with SensO₂[®]
HomeFill[®] Compatible



Model IRC5PO2AW
Model IRC5PO2VAW

Model IRC5PAW

English.....	1
French.....	34
Italian.....	66
German.....	98
Polish.....	132
Czech.....	165



Dealer: This manual **MUST** be given to the end user.

User: **BEFORE** using this product, read this manual and save for future reference.



Yes, you can.[®]

 WARNING

DO NOT use this product or any available optional equipment without first completely reading and understanding these instructions and any additional instructional material such as owner's manuals, service manuals or instruction sheets supplied with this product or optional equipment. If you are unable to understand the warnings, cautions or instructions, contact a healthcare professional, dealer or technical personnel before attempting to use this equipment - otherwise, injury or damage may occur.

 ACCESSORIES WARNING

Invacare products are specifically designed and manufactured for use in conjunction with Invacare accessories. Accessories designed by other manufacturers have not been tested by Invacare and are not recommended for use with Invacare products.

ACCESSORIES

There are many different types of humidifiers, oxygen tubing, cannulas and masks that can be used with this device. You should contact your local home care provider for recommendations on which of these devices will be best for you. They should also give you advice on the proper usage, maintenance, and cleaning.

The supply accessories (nasal cannula, mask, tubing, humidifier, etc.) used to deliver oxygen to the patient need to include a means to reduce the propagation of fire in the accessories for the safety of the patient and others. If a commercially available, fire-activated flow stop device is used in the accessories setup, it should be placed as close to the patient as practicable.

TABLE OF CONTENTS

ACCESSORIES	2
SPECIAL NOTES	4
LABEL LOCATION	6
SECTION 1—GENERAL GUIDELINES	7
Operating Information	8
Radio Frequency Interference	8
SECTION 2—FEATURES	10
SECTION 3—HANDLING	11
Unpacking.....	11
Inspection.....	11
Storage.....	11
SECTION 4—TECHNICAL DESCRIPTION	12
Intended Use	12
Technical Description	12
SECTION 5—TYPICAL PRODUCT PARAMETERS .	13
SECTION 6—OPERATING INSTRUCTIONS	18
Introduction.....	18
Select a Location	18
Set Up	19
Flowrate.....	22
SensO ₂ Oxygen Purity Indicator - Model IRC5PO2AW	23
Initial Startup of the Concentrator	23
Explanation of Indicator Lights - Model IRC5PAW	24
Elapsed Time Meter (Hour Meter)	25
SECTION 7—MAINTENANCE	26
Routine Maintenance.....	26
SECTION 8—TROUBLESHOOTING GUIDE	29
SECTION 9—OPTIONAL ACCESSORIES	32
RECYCLING INFORMATION	33
CUSTOMER SERVICE AND WARRANTY INFORMATION	198

SPECIAL NOTES

Signal words are used in this manual and apply to hazards or unsafe practices which could result in personal injury or property damage. Refer to the following table for definitions of the signal words.

SIGNAL WORD	MEANING
⚠ DANGER	Danger indicates an imminently hazardous situation which, if not avoided, will result in death or serious injury.
⚠ WARNING	Warning indicates a potentially hazardous situation which, if not avoided, could result in death or serious injury.
CAUTION	Caution indicates a potentially hazardous situation which, if not avoided, may result in property damage or minor injury or both.

NOTICE

The information contained in this document is subject to change without notice.

⚠ DANGER

DO NOT SMOKE while using this device. Keep all matches, lit cigarettes or other sources of ignition out of the room in which this product is located and away from where oxygen is being delivered.

NO SMOKING signs should be prominently displayed. Textiles and other materials that normally would not burn are easily ignited and burn with great intensity in oxygen enriched air. Failure to observe this warning can result in severe fire, property damage and cause physical injury or death.

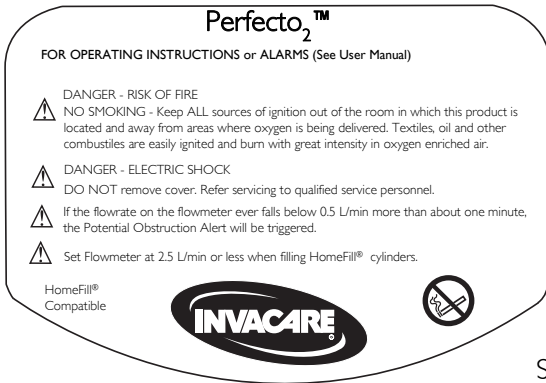
CAUTION

“Caution: Statutory law can restrict this device to sale by or on order of a physician, or any other practitioner licensed by the law of the governmental agency in which he/she practices to use or order the use of this device.”

Invacare recommends an alternate source of supplemental oxygen in the event of a power outage, alarm condition or mechanical failure. Consult your physician or equipment provider for the type of reserve system required.

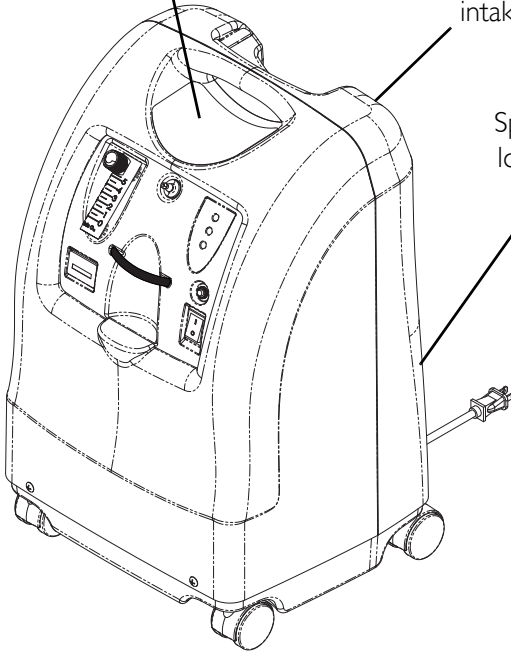
This equipment is to be used as an oxygen supplement and is not considered life supporting or life sustaining.

LABEL LOCATION



Serial Number Label is located on the resonator intake assembly

Specification Label is located on the back near the bottom



SECTION I—GENERAL GUIDELINES

In order to ensure the safe installation, assembly and operation of the Perfecto₂ concentrator these instructions **MUST** be followed.

⚠ WARNING

This section contains important information for the safe operation and use of this product.

⚠ DANGER

Risk of electric shock. DO NOT disassemble. Refer servicing to qualified service personnel. No user serviceable parts.

TO REDUCE THE RISK OF BURNS, ELECTROCUTION, FIRE OR INJURY TO PERSONS.

Avoid using while bathing. If continuous usage is required by the physician's prescription, the concentrator **MUST be located in another room at least 2.5 m (7 ft) from the bath.**

DO NOT come in contact with the concentrator while wet.

DO NOT place or store product where it can drop into water or other liquid.

DO NOT reach for product that has fallen into water. Unplug IMMEDIATELY.

If the concentrator has a damaged cord or plug, if it is not working properly, if it has been dropped or damaged, or dropped into water, call qualified technician for examination and repair.

A spontaneous and violent ignition may occur if oil, grease or greasy substances come in contact with oxygen under pressure. These substances **MUST be kept away from the oxygen concentrator, tubing and connections, and all other oxygen equipment. **DO NOT** use any lubricants unless recommended by Invacare.**

Avoid creation of any spark near medical oxygen equipment. This includes sparks from static electricity created by any type of friction.

Operating Information

For optimum performance, Invacare recommends that each concentrator be on and running for a minimum of 30 minutes at a time. Shorter periods of operation may reduce maximum product life.

Keep the oxygen tubing, cord, and unit out from under such items as blankets, bed coverings, chair cushions, clothing and away from heated or hot surfaces, including space heaters, stoves and similar electrical appliances.

DO NOT move or relocate concentrator by pulling on the power cord.

NEVER drop or insert any object or liquid into any opening.

Invacare recommends that Crush-Proof oxygen tubing be used with this product and not exceed 15.2 m (50 ft) in length.

There are no user serviceable parts. This does not include normal maintenance items. See maintenance section for user maintenance items.

A product should NEVER be left unattended when plugged in. Make sure the Perfecto₂ is Off when not in use.

Close supervision is necessary when this product is used near children or physically-challenged individuals.

Additional monitoring or attention may be required for patients using this device who are unable to hear or see alarms or communicate discomfort.

DO NOT connect the concentrator in parallel or series with other oxygen concentrators or oxygen therapy devices.

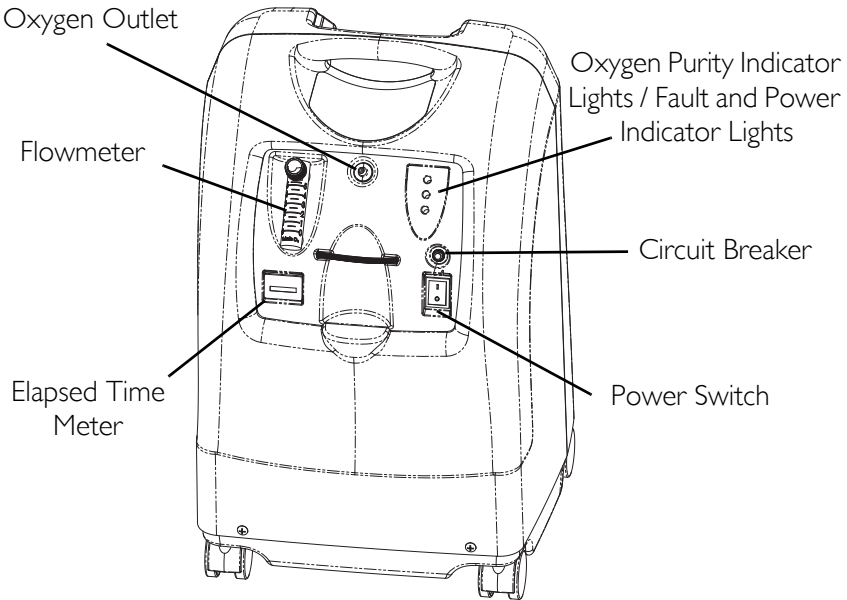
Radio Frequency Interference

This equipment has been tested and found to comply with EMC limits specified by IEC/EN 60601-1-2. These limits are designed to provide a reasonable protection against electromagnetic interference in a typical medical installation.

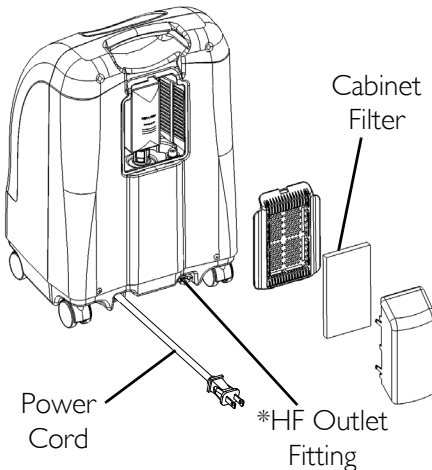
Other devices may experience interference from even the low levels of electromagnetic emissions permitted by the above standards. To determine if the emissions from the Perfecto₂ is causing the interference, turn the Perfecto₂ Off. If the interference with the other device(s) stops, then the Perfecto₂ is causing the interference. In such rare cases, interference may be reduced or corrected by one of the following measures:

- Reposition, relocate, or increase the separation between the equipment.
- Connect the equipment into an outlet on a circuit different from that to which the other device(s) is connected.

SECTION 2—FEATURES



REAR VIEW



**NOTE: This outlet fitting is to be used only for filling oxygen cylinders with the HomeFill home oxygen compressor. The outlet fitting does not affect concentrator performance. Refer to the HomeFill owner's manual, part number 1145804, for connection and operating instructions. When not in use, the plug provided with the concentrator should be inserted into the outlet fitting. For more information about the HomeFill, contact your Invacare dealer.*

SECTION 3—HANDLING

The concentrator should ALWAYS be kept in the upright position to prevent cabinet damage while being transported.

If the concentrator is to be reshipped by common carrier, additional cartons are available from Invacare.

Unpacking

NOTE: For this procedure, refer to FIGURE 3.1.

1. Check for any obvious damage to the carton or its contents. If damage is evident, notify the carrier, or your local dealer.
2. Remove all loose packing from the carton.
3. Carefully remove all the components from the carton.

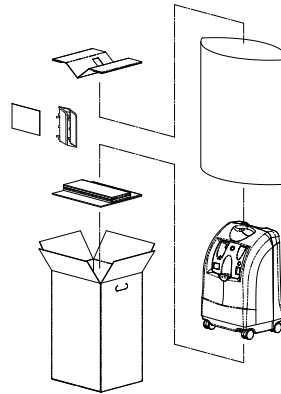


FIGURE 3.1 Unpacking

NOTE: Unless the oxygen concentrator is to be used IMMEDIATELY, leave concentrator in its packaging for storage until use of the concentrator is required.

Inspection

1. Inspect/examine exterior of the oxygen concentrator for nicks, dents, scratches or other damages. Inspect all components.

Storage

1. Store the repackaged oxygen concentrator in a dry area.
2. DO NOT place objects on top of repackaged concentrator.

SECTION 4—TECHNICAL DESCRIPTION

Intended Use

Your oxygen concentrator is intended for individual use by patients with respiratory disorders who require supplemental oxygen. The device is not intended to sustain or support life.

Technical Description

The oxygen concentration level of the output gas ranges from 87% to 95.6%. The oxygen is delivered to the patient through the use of a nasal cannula.









The Invacare Perfecto₂ concentrator uses a molecular sieve and pressure swing adsorption methodology to produce the oxygen gas output. Ambient air enters the device, is filtered and then compressed. This compressed air is then directed toward one of two nitrogen adsorbing sieve beds.

Concentrated oxygen exits the opposite end of the active sieve bed and is directed into an oxygen reservoir where it is delivered to the patient.

The Invacare Perfecto₂ concentrator is capable of operation by the patient in a home environment or in an institutional environment. Device operates at a nominal 230 VAC/50 Hertz supply.

Service information will be available upon request to qualified technical personnel only.

SECTION 5—TYPICAL PRODUCT PARAMETERS

	Alternating Current
	Type BF equipment
	Unit running
	Unit not running
	Attention - Consider Accompanying Documents
	DO NOT smoke
	Class II, Double Insulated
IPX0	Not Protected
	This product complies with Directive 93/42/EEC concerning medical devices. The launch date of this product is stated in the EC declaration of conformity.
Electrical Requirements:	230 VAC \pm 10% (253 VAC/207 VAC), 50 Hz
Rated Current Input:	1.4 A
Sound Level:	39.5 dBA Average
Altitude:	Up to 1828 meters (6,000 ft) above sea level without degradation of concentration levels. Not recommended for use above 1828 meters (6,000 ft)

SECTION 5—TYPICAL PRODUCT PARAMETERS

Oxygen Output Concentration Levels: <i>NOTE: Stated concentration levels achieved after initial warm-up period (approximately 30 minutes).</i>	All IRC5PO2AW / IRC5PAW models 87% to 95.6% at 0.5 to 5 L/min
Maximum Outlet Pressure:	34.5 kPa ± 3.45 kPa (5 psi ± 0.5 psi)
Flow Range:	0.5 to 5 L/min (maximum). For flowrates less than 1 L/min, we recommend the use of the Invacare Pediatric Flowmeter Accessory (IRCPF16AW).
Potential Obstruction Alert	0 L/min to 0.5 L/min The concentrator detects a condition that may indicate a potential obstruction of the output oxygen. Rapid audible beeping alert (this alert is deactivated when accessories are connected). May be associated with flow setting of 0.5 L/min or less.
Average Power Consumption:	300 W 280 W @ ≤ 3 L/min
Pressure Relief Mechanism Operational at:	241 kPa ± 24.1 kPa (35 psi ± 3.5 psi)
Change in maximum recommended flow when back pressure of 7kPa is applied:	0.7 L/min
Filters:	Cabinet, Outlet HEPA and Compressor Inlet
Safety System:	Current overload or line surge shutdown. High temperature compressor shutdown. High Pressure Alarm w/compressor shutdown. Low Pressure Alarm w/compressor shutdown. Battery Free Power Loss Alarm. SensO2 Oxygen System Possible Obstruction Alert.
Width:	38.1 cm ± 1 cm (15 in ± 3/8 in)
Height:	58.4 cm ± 1 cm (23 in ± 3/8 in)



SECTION 5—TYPICAL PRODUCT PARAMETERS

Depth:	30.5 cm ± 1 cm (12 in ± 3/8 in)
Weight:	20.5 kg ± 1 kg (45 lbs ± 2 lbs)
Shipping Weight:	22.7 kg ± 1 kg (50 lbs ± 2 lbs)
Operating Ambient Temperature:	10°C - 35°C (50°F - 95°F) at 20-60% relative humidity
Exhaust Cooling Air Temperature:	Less than Ambient +19°C (+ 35°F)
Oxygen Output Temperature:	Less than Ambient +3°C(+ 6°F)
Cabinet:	Impact Resistant flame-retardant plastic cabinet that conforms to UL 94-V0.
No AP/APG	Not suitable for use in the presence of a flammable anaesthetic mixture.
Standards and Regulatory Listing:	IRC5PO2AW/IRC5PAW IEC/EN61000-3-2 IEC/EN61000-3-3, IEC/EN 60601-1, A1, A2 IEC/EN 60601-1-2 IRC5PO2AW Models Only ISO8359 MDD 93/42/EEC, Annex I and IX
CE marked model	IRC5PO2AW
Electrical:	No extension cords.
Placement:	No closer than 30.5 cm (12 in) from any wall, furniture, draperies, or furniture to assure sufficient air flow. Avoid deep pile carpets and heaters, radiators or hot air registers. Floor location only.
Tubing:	2 m (7 ft) cannula with a maximum 15 m (50 ft) of Crush-Proof Tubing (DO NOT pinch).
Time of Operation:	Up to 24 hours per day.
Recommended Storage and Shipping Temperature:	-29°C to 65°C (-20°F to 150°F) at 15-95% relative humidity.
Environment:	Smoke and soot-free. No confined spaces (Example: No closets).


SECTION 5—TYPICAL PRODUCT PARAMETERS

Minimum Operating Time:	30 Minutes
-------------------------	------------

IRC5PO2AW INDICATORS

LABEL SYMBOL	O ₂ PURITY	INDICATOR LIGHTS (LED)
O ₂	SYSTEM OKAY O ₂ over 85% (± 2%)	GREEN Indicator Light
	O ₂ Between 73% (± 3%) to 85% (±2%)	YELLOW Indicator light A. YELLOW Solid B. YELLOW Flashing Sensor Failure Call a qualified technician.
	SYSTEM FAILURE O ₂ Below 73% (±3%)	RED Indicator Light Continuous Audible Alarm Sieve-GARD Compressor Shutdown

IRC5PAW INDICATORS

LABEL SYMBOL	STATUS	INDICATOR LIGHTS (LED)
I/O	SYSTEM OKAY	GREEN Indicator Light
	SYSTEM FAILURE	RED Indicator light Continuous Audible Alarm Sieve-GARD™ Compressor Shutdown Call a qualified technician.

SECTION 6—OPERATING INSTRUCTIONS

Introduction

Your oxygen concentrator is intended for individual use. It is an electronically operated device that separates oxygen from room air. It provides high concentration of oxygen directly to you through a nasal cannula. Clinical studies have documented that oxygen concentrators are therapeutically equivalent to other types of oxygen delivery systems.

Your provider will show you how to use your oxygen concentrator. He/She should be contacted with any questions or problems regarding your oxygen concentrator. This owner's manual will tell you about your concentrator and will serve as a reference as you use your concentrator.

Select a Location

WARNING

NEVER block the air openings of the product or place it on a soft surface, such as a bed or couch, where the air opening may be blocked. Keep the openings free from lint, hair and the like.

Move oxygen concentrator at least 30.5 cm (12 in) away from walls, draperies or furniture.

You may select a room in your house where using your oxygen concentrator would be most convenient. Your concentrator can be easily rolled from room to room on its casters.

Your oxygen concentrator will perform best when operated under the conditions outlined in the Typical Product Parameters on page 13. Usage in environments other than those described may result in the need for increased equipment maintenance. The air intake of the unit should be located in a well ventilated area to avoid airborne pollutants and/or fumes.

Set Up

1. Plug in power cord to an electrical outlet.
2. Connect Humidifier (If So Prescribed)

⚠ WARNING

DO NOT overfill humidifier.

DO NOT reverse the oxygen input and output connections. Water from the humidifier bottle will travel through the cannula back to the patient.

NOTE: For this procedure, refer to FIGURE 6.1, FIGURE 6.2 on page 20, FIGURE 6.3 on page 21.

1. Remove cap from bottle.
2. Fill humidifier with distilled water to the level indicated by the manufacturer. Replace the humidifier cap and securely tighten.

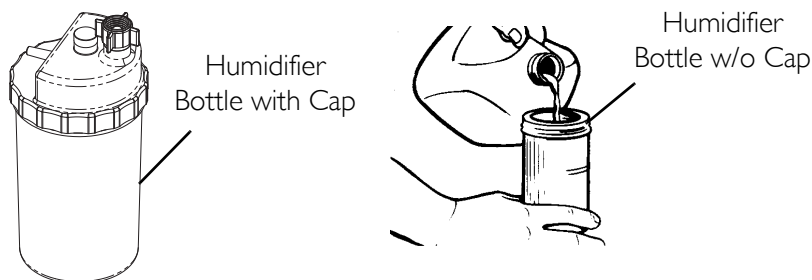


FIGURE 6.1 Filling the Humidifier

3. Insert a flathead screwdriver in the plate groove on the top edge of the filter access door and gently pry the filter access door off (FIGURE 6.2).
4. Pull up and remove the humidifier bottle adapter (FIGURE 6.2).
5. Replace the filter access door and install the air scoop onto the filter access door by inserting the six tabs on the air scoop into the six slots on the sides of the filter access door.

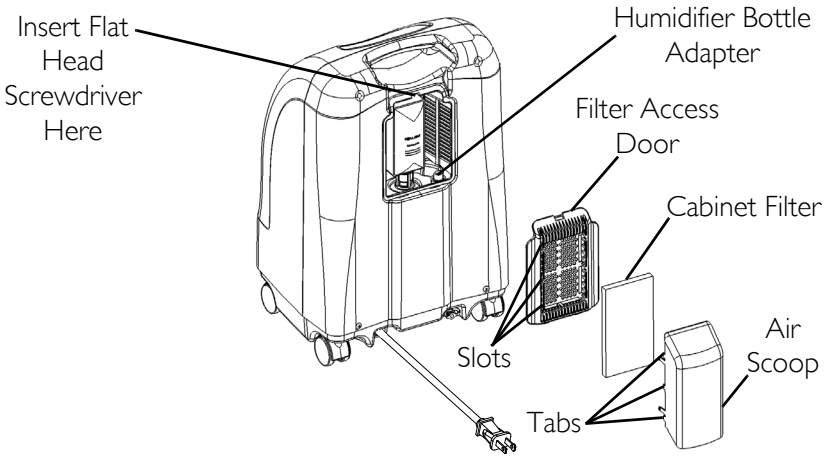


FIGURE 6.2 Humidifier Bottle Adapter

6. Attach the humidifier bottle adapter to the humidifier bottle by turning the wing nut on the humidifier bottle counterclockwise until it is securely fastened. See Detail "A" in FIGURE 6.3.
7. Place the humidifier bottle/adapter assembly in the humidifier compartment on the concentrator. See Detail "B" in FIGURE 6.3.
8. Attach oxygen tubing from the humidifier bottle/adapter assembly to oxygen outlet connector on the concentrator. See Detail "B" in FIGURE 6.3.
9. Attach the cannula/patient supply tubing to the humidifier bottle outlet. See Detail "B" in FIGURE 6.3.
10. After assembly, ensure that oxygen is flowing through the cannula.

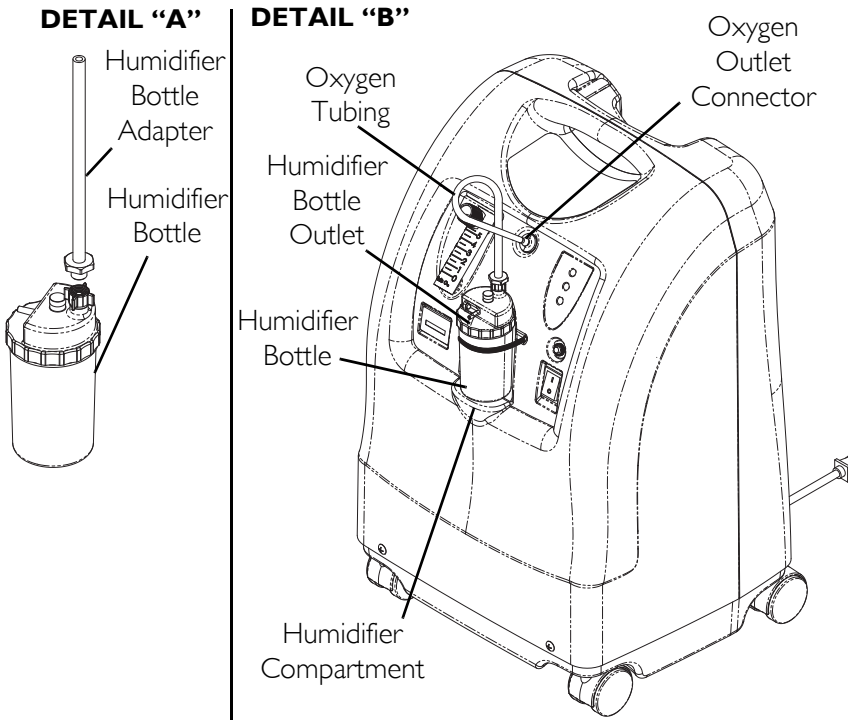


FIGURE 6.3 Humidifier Compartment

Power Switch

NOTE: For this procedure, refer to FIGURE 6.4.

1. Press power switch to On position. All the panel lights and the audible alarm will come on for one second, indicating that the unit is functioning properly.

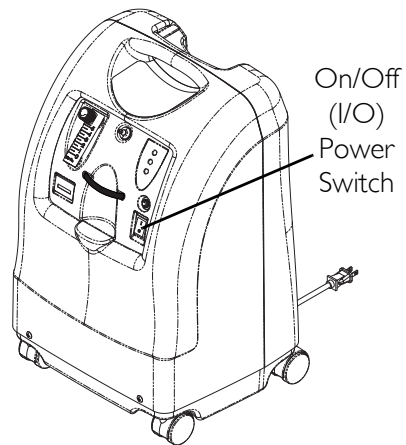


FIGURE 6.4 Power Switch

Flowrate

NOTE: For this procedure, refer to FIGURE 6.5.

NOTE: Take care not to set the flow above RED ring. An oxygen flow greater than 5 L/min will decrease the oxygen concentration.

1. Turn the flowrate knob to the setting prescribed by your physician or therapist.

⚠ WARNING

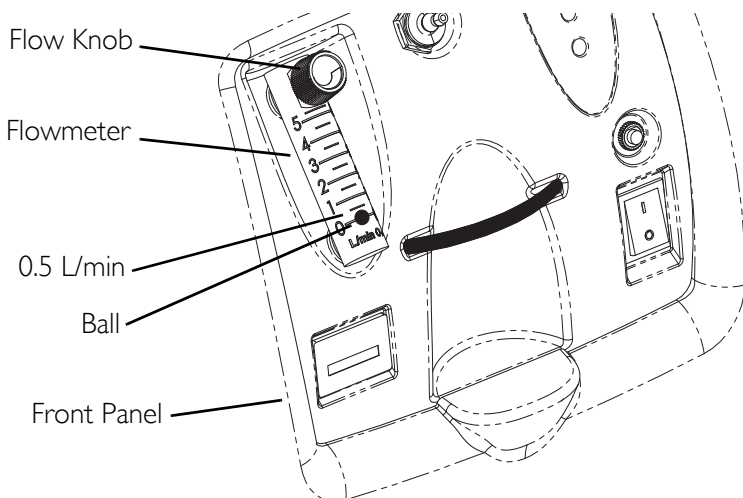
DO NOT change the L/min setting on the flowmeter unless a change has been prescribed by your physician or therapist.

NOTE: To properly read the flowmeter, locate the prescribed flowrate line on the flowmeter. Next, turn the flow knob until the ball rises to the line. Now, center the ball on the L/min line prescribed.

NOTE: A Potential Obstruction Alert indicates a condition that may be associated with a partial or complete obstruction of oxygen output.

2. If the flowrate on the flowmeter ever falls below 0.5 L/min more than about one minute, the Potential Obstruction Alert will be triggered. This is a rapid beeping of the audible alarm. Check your tubing or accessories for blocked or kinked tubing or a defective humidifier bottle. After rated flow is restored between 0.5 L/min and 0.75 L/min, the Potential Obstruction Alert will turn off.

NOTE: The use of some accessories such as the PreciseRx pediatric flowmeter and the HomeFill compressor will deactivate the Potential Obstruction Alert.

**FIGURE 6.5** Flowrate

SensO₂ Oxygen Purity Indicator - Model IRC5PO2AW

This feature monitors the purity of oxygen generated by the oxygen concentrator. If purity falls below factory preset standards, indicator lights on the control panel will illuminate.

Initial Startup of the Concentrator

NOTE: Concentrator may be used during the initial start warm-up time (approximately 30 min.) while waiting for the O₂ purity to reach maximum.

When the unit is turned on, the GREEN light will come on (SYSTEM OK/O₂ greater than 85%). After five minutes, the oxygen sensor will be operating normally and will control the indicator lights depending on oxygen concentration values.

Explanation of Oxygen Purity Indicator Lights - Model IRC5PO2AW

NOTE: For this procedure, refer to FIGURE 6.6 on page 24.

GREEN light (O₂) - Normal Operation.

YELLOW light (⚠) - Immediately call supplier. You may continue to use the concentrator unless instructed otherwise by your supplier. Be certain that backup oxygen is nearby.

RED light (🔔) - Total unit shutdown. Immediately switch to backup oxygen supply and call supplier.

GREEN light - with YELLOW light flashing - Immediately call supplier. Oxygen sensor malfunctioning; you may continue to use the concentrator.

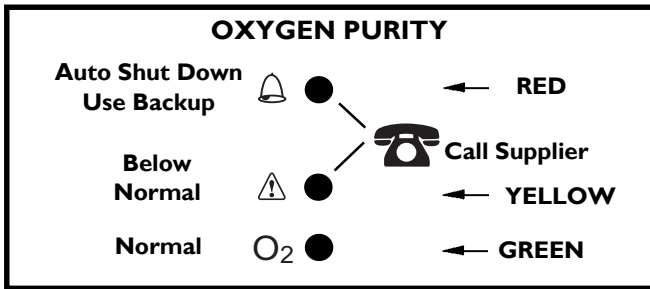


FIGURE 6.6 Explanation of Oxygen Purity Indicator Lights - Model IRC5PO2AW

Explanation of Indicator Lights - Model IRC5PAW

NOTE: For this procedure, refer to FIGURE 6.7.

IRC5PAW Model Indicator Light Explanation

RED light (🔔) - Total Unit Shut-Down. Immediately switch to a back-up oxygen supply and call supplier.

GREEN light (I/O) - On/Off. System okay.

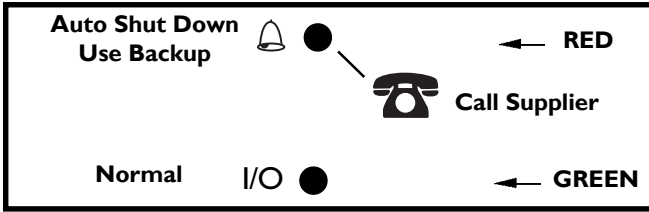


FIGURE 6.7 Explanation of Indicator Lights - Model IRC5PAW

Elapsed Time Meter (Hour Meter)

The hour meter displays the cumulative number of hours the unit has operated.

SECTION 7—MAINTENANCE

WARNING

The Invacare concentrators are specifically designed to minimize routine preventive maintenance. Only qualified personnel should perform preventive maintenance on the concentrator.

Unplug the concentrator when cleaning. To avoid electrical shock, DO NOT remove cabinet.

NOTE: At a minimum, preventive maintenance MUST be performed according to the maintenance record guidelines. In places with high dust or soot levels, maintenance may need to be performed more often. Refer to Preventive Maintenance Record on page 28.

Routine Maintenance

Cleaning the Cabinet Filter

CAUTION

DO NOT operate the concentrator without the filter installed.

NOTE: For this procedure, refer to FIGURE 7.1 on page 27.

NOTE: There is one cabinet filter located on the back of the cabinet.

1. Remove the filter and clean as needed.

NOTE: Environmental conditions that may require more frequent inspection and cleaning of the filter include, but are not limited to: high dust, air pollutants, etc.

2. Clean the cabinet filter with a vacuum cleaner or wash in warm soapy water and rinse thoroughly.
 3. Dry the filter thoroughly before reinstallation.
-

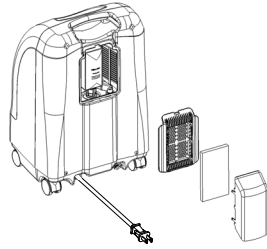
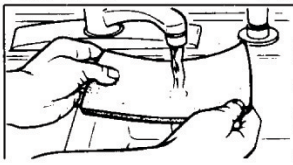


FIGURE 7.1 Cleaning the Cabinet Filter

Cleaning the Cabinet

1. Clean the cabinet with a mild household cleaner and non-abrasive cloth or sponge.

Cleaning the Humidifier

NOTE: To clean the oxygen humidifier, follow the instructions provided by the manufacturer. If none are provided, follow these STEPS:

1. Clean the humidifier every day.
2. Wash it in soapy water and rinse it with a solution of ten parts water and one part vinegar.
3. Rinse thoroughly with hot water and refill with distilled water to the level shown on the humidifier.

SECTION 8—TROUBLESHOOTING GUIDE

SYMPTOM:	PROBABLE CAUSE:	SOLUTION:
Alarm:	Main Power Loss:	
Short beeps, long pause	1. Power cord not plugged in.	1. Insert plug into outlet.
Concentrator not operating, power switch On.	2. No power at outlet.	2. Inspect house circuit breakers or fuses. If problem recurs, use a different outlet.
Beep.....Beep.....	3. Tripped circuit breaker.	3. Push/reset circuit breaker. If problem recurs, call Service Provider.
Alarm: Continuous Concentrator not operating, Power Switch On. Beeeeeeep....	System Failure: 1. Unit overheating due to blocked air intake. 2. Insufficient power at outlet. 3. Internal repairs required.	1a. Remove and clean cabinet filters. 1b. Move oxygen concentrator at least twelve inches away from walls, draperies or furniture. 2. DO NOT use extension cords. Move to another electrical outlet or circuit. 3. Call Service Provider.

SECTION 8—TROUBLESHOOTING GUIDE

SYMPTOM:	PROBABLE CAUSE:	SOLUTION:
<p>YELLOW or RED light Illuminated.</p> <p>Alarm: Continuous On RED light only.</p> <p>* Only applies to IRC5PO2AW models.</p>	1. Low oxygen purity.*	1. Clean or Replace filters.
	2. Kinked or blocked tubing, cannula or humidifier.*	2. Inspect for kinks or blockages. Correct, clean or replace item. Once corrected, turn power Off for 60 seconds and then turn power back On.
	3. Flowmeter set at 0.5 L/min *.	3. Check flowmeter is set to 1.0 L/min or more. Refer to <u>Typical Product Parameters</u> on page 13.
	4. Unit overheating due to blocked air intake.	4a. Remove and clean cabinet filters. 4b. Move concentrator at least twelve inches from walls, draperies, and furniture.
	5. Insufficient power at outlet.	5. DO NOT use extension cords. Move to another electrical outlet or circuit.
	6. Internal repairs required.	6. Call Service Provider.
GREEN light with YELLOW Light Flashing.	1. Internal repairs required.	1. Call Service Provider.

SYMPTOM:	PROBABLE CAUSE:	SOLUTION:
<p>Alarm: Rapid</p> <p>Beep....Beep... Beep...Beep</p>	<p>Potential Obstruction Alert</p> <p>I a. Possible internal obstruction in the oxygen path.</p> <p>I b. Kinked or blocked tubing, cannula or humidifier.</p> <p>I c. Flowmeter set at 0.5 L/min.</p>	<p>I a. Inspect for kinks or blockages. Correct, clean or replace item. Once corrected, turn power Off for 60 seconds and then turn power back ON.</p> <p>I b. Flowrates less than 1 L/min are not recommend.</p> <p><i>NOTE: The use of the pediatric flowmeter will deactivate the Potential Obstruction Alert.</i></p>

SECTION 9—OPTIONAL ACCESSORIES

The following optional accessories are also available:

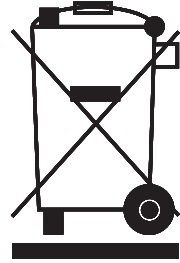
- Standard Adult Nasal Cannula, 2.1 m (7 feet)- M3120
- Standard Humidifier - M5120
- PreciseRX™ Pediatric Humidifier/Flowmeter Accessory - IRCPF16AW
- HomeFill home oxygen compressor - IOH200AW

RECYCLING INFORMATION

This product has been supplied from an environmentally aware manufacturer that complies with the Waste Electrical and Electronic Equipment (WEEE) Directive 2002/96/CE.

This product may contain substances that could be harmful to the environment if disposed of in places (landfills) that are not appropriate according to legislation.

The 'crossed out wheelie bin' symbol is placed on this product to encourage you to recycle wherever possible.

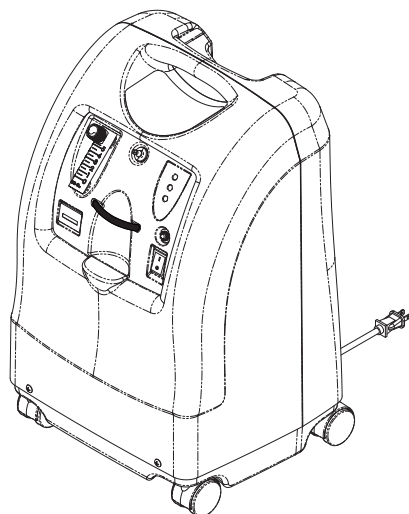


Please be environmentally responsible and recycle this product through your recycling facility at its end of life.

Manuel d'utilisation

Perfecto₂TM

Concentrateurs à oxygène sans SensO₂[®],
Concentrateurs à oxygène avec SensO₂[®]
Compatible HomeFill[®]



Modèle IRC5PO2AW
Modèle IRC5PO2VAW

Modèle IRC5PAW



CE 0434

Distributeur : Ce manuel DOIT être remis à l'utilisateur final.

Utilisateur : Lire ce manuel AVANT d'utiliser cet appareil, et le conserver en cas de besoin.



Yes, you can.®

⚠ MISE EN GARDE

NE PAS utiliser cet appareil ou tout autre équipement optionnel sans avoir préalablement lu et compris ces instructions et tout document d'instruction additionnel tel que le manuel de l'utilisateur, manuel d'entretien ou feuillets fournis avec ce produit ou tout matériel optionnel. Si l'utilisateur ne comprend pas les mises en garde, messages d'attention ou instructions, il doit contacter un professionnel de la santé, le distributeur ou le personnel technique avant de tenter d'utiliser cet appareil - Sinon, il y a un risque de blessure corporelle ou de dommage matériel.

⚠ MISE EN GARDE POUR LES ACCESSOIRES

Les produits Invacare ont été spécifiquement conçus et fabriqués pour être utilisés conjointement avec les accessoires Invacare. Les accessoires conçus par d'autres fabricants n'ont pas été testés par Invacare et il n'est pas recommandé de les utiliser avec les produits Invacare.

ACCESSOIRES

Il y a une large gamme d'humidificateurs, de tubes à oxygène, de canules et de masques pouvant être utilisés avec cet appareil. Vous devriez contacter votre prestataire de soins à domicile afin qu'il vous indique quels sont les dispositifs adaptés à votre cas. Ils devraient également vous renseigner concernant la méthode d'utilisation, la maintenance et le nettoyage appropriés.



Les accessoires d'alimentation (canules nasales, masque, tubes, humidificateur, etc.) utilisés pour fournir de l'oxygène au patient doivent comprendre un système visant à réduire la propagation du feu dans les accessoires, pour la sécurité du patient et d'autrui. Si un dispositif de coupure de débit activé en cas d'incendie, disponible dans le commerce, est utilisé dans la configuration des accessoires, il doit être placé aussi près que possible du patient.

SOMMAIRE

ACCESSOIRES	35
REMARQUES SPÉCIALES	37
EMPLACEMENT DU LABEL	39
SECTION 1—REGLES GENERALES	40
Interférence radioélectrique.....	42
SECTION 2—CARACTÉRISTIQUES	43
SECTION 3—MANIPULATION	44
Déballage.....	44
Contrôle.....	44
Rangement	44
SECTION 4—DESCRIPTION TECHNIQUE	45
Utilisation prévue.....	45
Description technique.....	45
SECTION 5—PARAMÈTRES TYPES DU PRODUIT .	46
SECTION 6—CONSIGNES D'UTILISATION	50
Introduction.....	50
Choisir Un Endroit.....	50
Montage.....	51
Débit.....	54
Témoin de la pureté de l'oxygène SensO ₂ - Modèle IRC5PO2AW	55
Mise en marche initiale du concentrateur	56
Explication des témoins lumineux - Modèle IRC5PAW	57
Compteur horaire.....	57
SECTION 7—ENTRETIEN	58
Entretien de routine	58
SECTION 8—GUIDE DE DÉPANNAGE	61
SECTION 9—ACCESSOIRES EN OPTION	64
INFORMATIONS DE RECYCLAGE	65
SERVICE APRÈS-VENTE ET INFORMATIONS DE GARANTIE	198

REMARQUES SPÉCIALES

Des mots d'alerte sont utilisés dans ce manuel et s'appliquent aux pratiques à risque ou dangereuses pouvant entraîner des blessures corporelles ou des dégâts matériels. Se reporter au tableau suivant pour les définitions des mots-indicateurs.

MOT-INDICATEUR	DEFINITION
 DANGER	Danger indique une situation dangereuse imminente qui, si elle n'est pas écartée, entraînera la mort ou des blessures graves.
 MISE EN GARDE	Mise en garde indique une situation potentiellement dangereuse qui, si elle n'est pas écartée, peut entraîner la mort ou des blessures graves.
ATTENTION	Attention indique une situation de risque potentiel qui, s'il n'est pas écarté, peut entraîner des dégâts personnels ou des lésions mineures voire les deux.

AVIS

Les informations contenues dans ce document sont susceptibles d'être modifiées sans préavis.

DANGER

NE FUMEZ PAS pendant l'utilisation de cet appareil. Conservez allumettes, cigarettes allumées ou autres sources d'ignition en dehors de la pièce dans laquelle se trouve cet appareil et éloignées de l'endroit où de l'oxygène est distribué.

⚠ DANGER

Des panneaux INTERDIT DE FUMER doivent être exposés bien en vue. Les textiles et autres matériaux qui ne brûleraient pas dans des conditions normales s'enflamment facilement et brûlent avec une grande intensité dans un endroit où l'air est enrichi en oxygène. Le non-respect de cette mise en garde peut entraîner un incendie et des dégâts matériels graves, ou provoquer des blessures corporelles voire la mort.

ATTENTION

« Attention : La loi peut restreindre la vente de cet appareil de sorte qu'il ne puisse être vendu que par un médecin ou sur son ordonnance, ou par tout autre praticien agréé sur le lieu d'exercice. »

Invacare recommande une source alternative d'apport en oxygène dans le cas d'une coupure de courant, d'une situation d'urgence ou d'une panne mécanique. Consultez votre médecin ou votre fournisseur concernant le système de réserve que vous souhaitez.

Ce matériel doit être utilisé pour assurer un complément d'oxygène et non pour servir d'appareil de réanimation et de maintien des fonctions vitales.

EMPLACEMENT DU LABEL

Perfecto₂TM

POUR LES INSTRUCTIONS DE FONCTIONNEMENT ou ALARMES (Voir le Manuel d'utilisation)

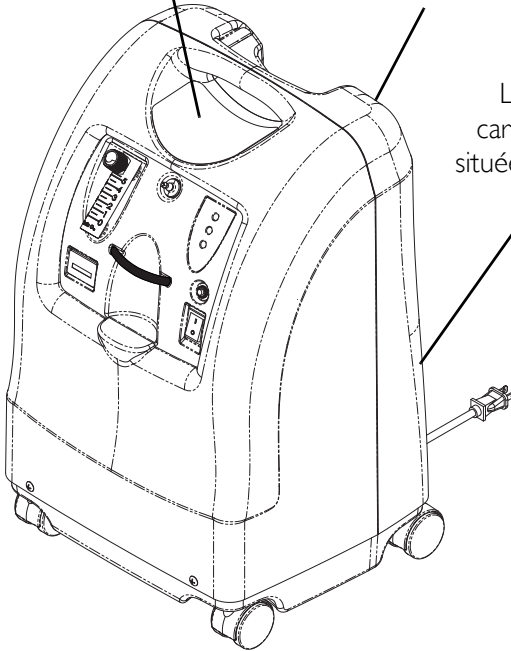
- ⚠ DANGER - RISQUE D'INCENDIE
NE PAS FUMER - Ecarter TOUTE source d'ignition de la pièce où se trouve cet appareil et à distance des zones de distribution d'oxygène. Les textiles, huiles et autres combustibles représentent des sources inflammables pouvant brûler avec grande intensité dans un environnement où l'air est enrichi en oxygène.
- ⚠ DANGER - ELECTROCUTION
NE PAS enlever le couvercle. Confier toute réparation à un personnel de maintenance qualifié.
- ⚠ Des débits inférieurs à 0.5 l/min déclenchent l'alerte d'obstruction potentielle (avertissement sonore rapide).
- ⚠ Positionnez le débitmètre sur 2.5 l/min ou moins lorsque vous remplissez les bouteilles HomeFill®.

Compatible
HomeFill®



L'étiquette avec le numéro de série est située sur

L'étiquette des caractéristiques est située sur l'arrière vers le bas



SECTION I — REGLES GENERALES

Pour garantir l'installation, l'assemblage et le fonctionnement sûrs du concentrateur Perfecto₂, il convient de respecter ces instructions IMPÉRATIVEMENT.

⚠ MISE EN GARDE

Ce chapitre contient des informations importantes concernant le fonctionnement et l'utilisation sans danger de ce produit.

⚠ DANGER

Risque d'électrocution. NE PAS démonter. Confier toute réparation à un personnel de maintenance qualifié. Aucune pièce réparable par l'utilisateur.

POUR REDUIRE LE RISQUE DE BRÛLURES, D'ELECTROCUTION, D'INCENDIE OU DE DOMMAGES CORPORELS.

Ne jamais utiliser l'appareil en prenant un bain. Si la prescription médicale requiert une utilisation continue, le concentrateur DOIT être placé dans une autre pièce éloignée d'au moins 2.5 m (7ft) de la salle de bains.

NE PAS toucher le compresseur en étant mouillé.

NE PAS placer ou ranger l'appareil à proximité de l'eau ou d'un autre liquide.

NE JAMAIS tenter de reprendre l'appareil s'il tombe dans l'eau. Débrancher IMMEDIATEMENT.

Si le cordon ou la prise du concentrateur est endommagé, s'il ne fonctionne pas correctement, s'il heurte le sol, s'il est endommagé ou plongé dans l'eau, l'appareil doit être renvoyé à un technicien qualifié pour être inspecté et réparé.

⚠ DANGER

Une inflammation spontanée et violente peut se produire si de l'huile, de la graisse ou des substances grasses entrent en contact avec l'oxygène sous pression. Ces substances **DOIVENT** être tenues à l'écart du concentrateur d'oxygène, des tubes et connexions, et de tout matériel d'oxygénation en général. **NE PAS** utiliser de lubrifiants sauf en cas de recommandations par Invacare.

Informations de fonctionnement

Pour une performance optimale, Invacare recommande que chaque concentrateur fonctionne pendant un minimum de 30 minutes à chaque fois. Des périodes de fonctionnement plus courtes peuvent réduire la durée de vie de cet appareil.

Eloignez les tubes à oxygène, le cordon et l'appareil de sous les couvertures, les dessus de lit, les coussins, les vêtements et écartés des surfaces chauffées ou chaudes, comprenant les radiateurs, les fours et appareils électriques similaires.

NE PAS déplacer ou changer le concentrateur de place en tirant sur le cordon électrique.

NE JAMAIS laisser tomber ou insérer un objet ou du liquide dans les ouvertures.

Invacare recommande qu'un tube à oxygène anti-écrasement soit utilisé avec ce produit et qu'il ne dépasse pas 15.2 m (50 ft) de longueur.

Il n'y a pas de pièces réparables par l'utilisateur. Ceci n'inclue pas les éléments d'entretien normal. Voir la section entretien pour l'entretien des éléments par l'utilisateur.

NE JAMAIS laisser l'appareil sans surveillance lorsqu'il est branché. Assurez-vous que le Perfecto₂ est débranché lorsqu'il n'est pas utilisé.

Une supervision rapprochée est nécessaire lorsque ce produit est utilisé par ou à proximité des enfants ou des individus souffrant de handicaps physiques.

Un contrôle ou une attention particulière doit être apportée aux patients qui utilisent cet appareil ou qui sont incapables d'entendre ou de voir des alarmes ou de communiquer leur inconfort.

NE PAS brancher le concentrateur en parallèle ou en série avec d'autres concentrateurs d'oxygène ou appareils d'oxygénothérapie.

Interférence radioélectrique

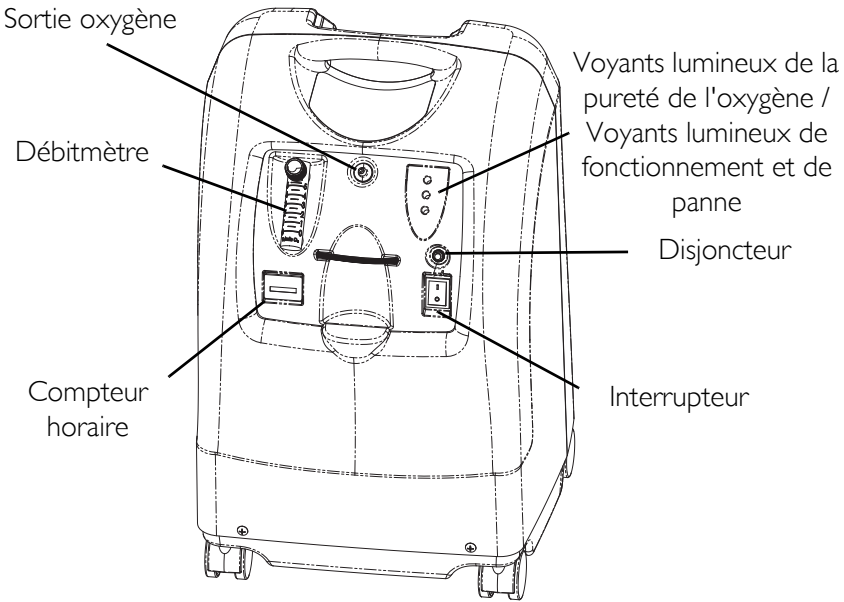
Cet équipement a été testé et trouvé conforme aux limites EMC spécifiées par IEC/EN 60601-1-2. Ces limites sont destinées à protéger raisonnablement contre les interférences électromagnétiques dans une installation médicale typique.

D'autres appareils peuvent recevoir des interférences même des plus bas niveaux des émissions électromagnétiques autorisées par les standards ci-dessus. Pour déterminer si les émissions du Perfecto₂ causent l'interférence, arrêtez le Perfecto₂. Si l'interférence avec l'autre appareil s'arrête, alors le Perfecto₂ cause l'interférence. Dans ces cas rares, l'interférence peut être réduite ou corrigée de l'une des façons suivantes:

- Repositionnez la machine, changez la de place, ou éloignez l'espacement entre les machines.
- Branchez l'appareil dans une prise différente de celle sur laquelle l'autre appareil est branché.

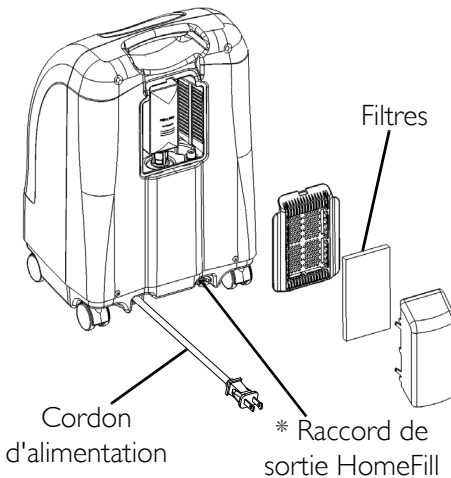
Éviter de provoquer des étincelles à proximité de l'appareil médical d'oxygénation. Cela inclut les étincelles d'électricité statique provoquées par des frictions.

SECTION 2—CARACTÉRISTIQUES



**REMARQUE : Ce raccord de sortie ne doit être utilisé que pour remplir les bouteilles d'oxygène avec le compresseur HomeFill. Le raccord de sortie n'affecte pas la performance du concentrateur. Se référer au manuel d'utilisation HomeFill, référence 1145804, pour les instructions de raccordement et d'utilisation. L'obturateur fourni avec le concentrateur doit être introduit dans le raccord de sortie lorsqu'il n'est pas utilisé. Pour plus d'informations concernant le HomeFill, contactez votre vendeur Invacare.*

VUE ARRIÈRE



SECTION 3—MANIPULATION

Le concentrateur doit TOUJOURS être maintenu en position verticale afin d'éviter d'endommager le caisson lors du transport.

Si le concentrateur doit être réexpédié par transporteur, des cartons supplémentaires sont disponibles chez Invacare.

Déballage

REMARQUE : Pour cette procédure, se reporter à FIGURE 3.1.

1. Contrôler tout dommage évident du carton ou de son contenu. Si des dégâts sont visibles, informez-en le livreur, ou votre vendeur local.
2. Retirer toutes les garnitures des cartons.
3. Retirer soigneusement tous les éléments du carton.

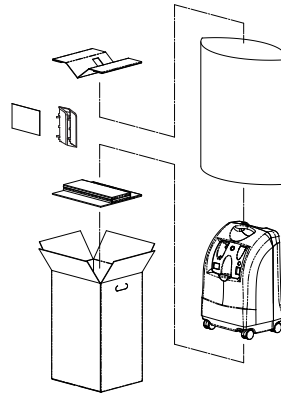


FIGURE 3.1 Déballage

REMARQUE : A moins que le concentrateur à oxygène doive être utilisé IMMEDIATEMENT, laisser le concentrateur dans son emballage pour le ranger jusqu'à ce que l'utilisation du concentrateur soit nécessaire.

Contrôle

1. Examiner/contrôler l'extérieur du concentrateur d'oxygène pour repérer d'éventuelles rayures, bosses, éraflures ou autres dommages. Contrôler tous les éléments.

Rangement

1. Ranger le concentrateur d'oxygène réemballé dans un endroit sec.
2. NE PAS placer d'autres objets au-dessus du concentrateur d'oxygène remis dans son emballage.

SECTION 4—DESCRIPTION TECHNIQUE

Utilisation prévue

Votre concentrateur d'oxygène est prévu pour un usage individuel par les patients souffrant de troubles respiratoires et qui nécessitent un apport en oxygène. Le dispositif n'est pas prévu pour maintenir en vie ou pour prolonger la vie.

Description technique







Le taux concentration d'oxygène varie de 87 % à 95,5 %. L'apport en oxygène au patient se fait à l'aide d'une cannule nasale.

Le concentrateur Invacare Perfecto₂ utilise un tamis moléculaire et une méthode d'absorption de la pression pour produire la sortie d'oxygène. L'air ambiant entre dans l'appareil; est filtré puis comprimé. L'air comprimé est ensuite dirigé vers l'un des deux tamis absorbants l'azote. L'oxygène concentré s'échappe du tamis opposé et est dirigé dans un réservoir à oxygène où il est transmis au patient.

Le concentrateur Invacare Perfecto₂ est capable d'être utilisé par le patient dans un environnement d'habitation ou un environnement institutionnel. L'appareil fonctionne à une puissance nominale de 230 VAC/50 Hertz.

Les informations d'entretien seront fournies sur demande au personnel technique qualifié uniquement.

SECTION 5—PARAMÈTRES TYPES DU PRODUIT

	Courant alternatif
	Équipement de Type BF
I	Appareil en marche
	Appareil à l'arrêt
	Attention - Consulter la documentation jointe
	NE PAS fumer
	Classe II, double isolation
IPX0	Non protégé
CE	Ce produit est conforme à la Directive 93/42/CEE sur les dispositifs médicaux. La date de lancement de ce produit est indiquée dans la déclaration de conformité CE.
Caractéristiques électriques :	230 V c.a. \pm 10 % (253 V c.a./207 V c.a.), 50 Hz
Consommation de courant nominal :	1.4 A
Niveau sonore :	39 DbA de moyenne
Altitude :	Jusqu'à 1 828 mètres (6 000 pieds) au-dessus du niveau de la mer sans dégradation des niveaux de concentration. Utilisation non recommandée au-delà de 1 828 mètres (6 000 pieds).



SECTION 5—PARAMÈTRES TYPES DU PRODUIT

Taux de concentration d'oxygène :	Tous les modèles IRC5PO2AW / IRC5PAW de 87 % à 95.6 % de 0.5 à 5 L/min
<i>REMARQUE : Les taux de concentration indiqués ont été obtenus après une période de chauffe initiale d'environ 30 minutes.</i>	
Alerte d'obstruction potentielle:	34.5 kPa ± 3.45 kPa (5 psi ± 0.5 psi) Le concentrateur détecte un état pouvant indiquer une obstruction potentielle de la sortie d'oxygène. Avertissement sonore par bip rapide (cette alerte est désactivée lors du branchement des accessoires). Peut être associé à un réglage du débit de 0,5 l/min ou moins.
Plage de débit :	De 0.5 to 5 L/min (maximum). Pour les taux de débit inférieurs à 1L/min, nous recommandons l'utilisation du débitmètre pédiatrique Invacare (IRCPF16AW).
Alarme de baisse de débit :	De 0 L/min to 0.5 L/min Bips d'alarme rapides et audibles (Aucuns accessoires branchés)
Puissance moyenne Consommation:	300 W 280 W @ ≤ 3 L/min
Mécanisme de décompression fonctionnant à :	241 kPa ± 24,1 kPa (35 psi ± 3,5 psi)
Modification du débit maximal recommandé lorsqu'une contre-pression de 7 kPa est appliquée :	0,7 l/mn.
Filtres :	Caisson, sortie HEPA et admission
Système de sécurité :	Arrêt en cas de surcharge de courant ou de surtension. Arrêt du compresseur en cas de température élevée. Alarme de haute pression avec arrêt du compresseur Alarme de basse pression avec arrêt du compresseur Alerte de perte d'alimentation auxiliaire. Alerte d'obstruction potentielle du système à oxygène SensO2.
Largeur :	38.1 cm ± 1 cm (15 in ± 3/8 in)
Hauteur :	58.4 cm ± 1 cm (23 in ± 3/8 in)
Profondeur :	30.5 cm ± 1 cm (12 in ± 3/8 in)
Poids :	20.5 kg ± 1 kg (45 lbs ± 2 lbs)


SECTION 5—PARAMÈTRES TYPES DU PRODUIT

Poids d'expédition:	22.7 kg ± 1 kg (50 lbs ± 2 lbs)
Température ambiante :	10° C - 35° C (50° F - 95° F) à une humidité relative de 20 à 60 %
Température de l'échappement de l'air de refroidissement :	Inférieur à la température ambiante +19 °C
Température de sortie de l'oxygène :	Inférieure à la température ambiante +3° C (+ 6° F)
Caisson :	Coffrage en plastique anti-chocs et retardateur de flammes conforme à la norme UL 94-V0.
Pas de No AP/APG	Non adapté pour une utilisation en présence d'un mélange anesthésique inflammable.
Liste standard et réglementaire:	IRC5PO2AW/IRC5PAW IEC/EN61000-3-2 IEC/EN61000-3-3, IEC/EN 60601-1, A1, A2 IEC/EN 60601-1-2 Uniquement les modèles IRC5PO2AW ISO8359 MDD 93/42/EEC, Annexe I et IX
Modèles CE :	IRC5PO2AW
Électricité :	Pas de rallonge
Positionnement :	Éloigner le concentrateur d'oxygène à au moins 30,5 cm des murs, rideaux ou meubles pour assurer un débit d'air suffisant. Éviter les moquettes épaisses et les appareils de chauffage, radiateurs ou registres d'air chaud. Uniquement sur le sol.
Lunette à oxygène :	Canule de 2 m (7 ft) indéformable de 15 m (50 ft) max. de tubage (NE PAS pincer).
Durée de fonctionnement :	Jusqu'à 24 heures par jour.
Température recommandée pour le stockage et l'expédition :	-29 ° C à 65° C, à une humidité relative de 15 à 95 %.
Environnement :	Sans fumée ni suie. Ne pas utiliser l'appareil dans des espaces confinés (Exemple: Placards ou Toilettes).
Durée de fonctionnement minimum :	30 minutes

TÉMOINS IRC5PO2AW

SYMBOLE FIGURANT SUR L'ÉTIQUETTE	PURETÉ O ₂	VOYANTS LUMINEUX (DEL)
O ₂	SYSTEM OKAY (SYSTÈME OKAY) O ₂ au dessus de 85 % (± 2 %)	Voyant lumineux VERT
	O ₂ entre 73 % (± 3 %) et 85 % (± 2 %)	Témoin lumineux JAUNE A. JAUNE fixe B. Voyant clignottant JAUNE Panne Appelez un technicien qualifié.
	SYSTÈME DEFAILLANT O ₂ au dessous de 73 % (±3 %)	Voyant lumineux ROUGE Alarme sonore continue Sieve-GARD arrêté du compresseur

VOYANT LUMINEUX IRC5PAW

SYMBOLE FIGURANT SUR L'ÉTIQUETTE	ÉTAT	VOYANTS LUMINEUX (DEL)
I/O	SYSTEM OKAY (SYSTÈME OKAY)	Voyant lumineux VERT
	SYSTÈME DEFAILLANT	Voyant lumineux ROUGE Alarme sonore continue Sieve-GARD™ Arrêt du compresseur Appelez un technicien qualifié.

SECTION 6—CONSIGNES D'UTILISATION

Introduction

Votre concentrateur à oxygène est prévu pour un usage individuel. C'est un appareil électronique sépare l'oxygène de l'air ambiant. Il délivre une forte concentration d'oxygène par une canule nasale. Des études cliniques ont montré que les concentrateurs d'oxygène sont équivalents en matière de thérapie à d'autres types de système de délivrance d'oxygène.

Le prestataire démontrera comment utiliser le concentrateur d'oxygène. Il doit être consulté pour toutes questions ou problèmes posés par le concentrateur d'oxygène. Le manuel de l'utilisateur vous instruira sur votre concentrateur et vous servira de référence pour l'utilisation de votre concentrateur.

Choisir Un Endroit

⚠ MISE EN GARDE

NE JAMAIS bloquer les ouvertures d'air de l'appareil ni le placer sur une surface molle, un lit ou un canapé par exemple, pour ne pas bloquer les sorties d'air. Éloigner les peluches, cheveux et textures similaires des sorties d'air.

Éloigner le concentrateur d'oxygène des murs, rideaux ou meubles à une distance minimale de 30,5 centimètres (12 pouces).

Choisir une pièce dans la maison où l'utilisation du concentrateur d'oxygène sera la plus pratique. Le concentrateur doit pouvoir être facilement déplacé de pièce en pièce sur ses roulettes.

Votre concentrateur à oxygène sera plus performant si vous le faites fonctionner dans les conditions suivantes Paramètres types du produit en page 46. Une utilisation dans un environnement autre que celui décrit pourrait nécessiter une maintenance supplémentaire. L'admission d'air de l'appareil doit être située dans un endroit bien ventilé pour éviter les polluants atmosphériques et / ou les fumées.

Montage

1. Brancher le cordon dans une prise électrique.
2. Raccorder l'humidificateur (Si cela a été recommandé).

⚠ MISE EN GARDE

NE PAS trop remplir l'humidificateur.

NE PAS inverser les connexions entrée et sortie d'oxygène. L'eau provenant de l'humidificateur repassera par la canule jusqu'à l'utilisateur.

REMARQUE : Pour cette procédure, se reporter à FIGURE 6.1, FIGURE 6.2 en page 52, FIGURE 6.3 en page 53.

1. Enlevez le bouchon de la bouteille.
2. Remplir l'humidificateur d'eau distillée jusqu'au niveau indiqué par le fabricant. Remettre le bouchon de l'humidificateur et bien le fermer.

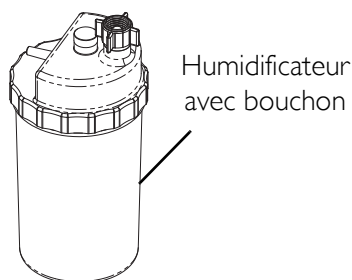


FIGURE 6.1 Remplissage de l'humidificateur

3. Insérer un tournevis à tête plate dans la rainure plaque sur le bord supérieur de la trappe d'accès et soulever délicatement la porte d'accès du filtre pour ouvrir la trappe (FIGURE 6.2).
4. Retirer le raccord de l'humidificateur (FIGURE 6.2).
5. Remplacez la trappe d'accès au filtre et remettez l'ouïe d'aération sur la trappe d'accès du filtre en insérant les six taquets se trouvant sur l'ouïe d'aération dans les six encoches situées sur les côtés de la trappe d'accès au filtre.

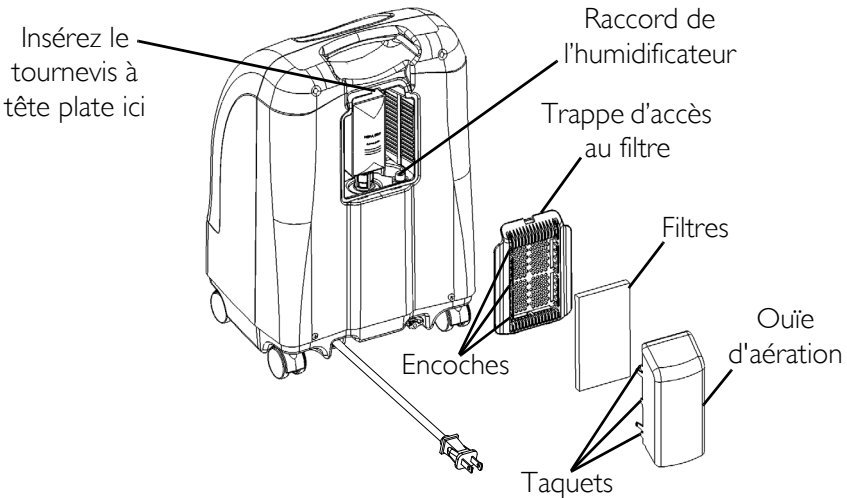


FIGURE 6.2 Adaptateur de l'humidificateur

6. Fixez le raccord de l'humidificateur sur l'humidificateur en tournant la vis à oreilles de l'humidificateur dans le sens des aiguilles d'une montre jusqu'à ce qu'il soit bien fixé. Voir Détail "A" dans FIGURE 6.3.
7. Placer l'humidificateur sur le compartiment humidificateur du concentrateur. Voir Détail "B" dans FIGURE 6.3.
8. Fixer le tube à oxygène à l'humidificateur ou sur l'embout de sortie de l'oxygène sur le concentrateur. Voir Détail "B" dans FIGURE 6.3.

9. Fixer la canule / le tube d'alimentation du patient à la sortie de l'humidificateur. Voir Détail "B" dans FIGURE 6.3.
10. Après montage, s'assurer que l'oxygène passe bien par la canule.

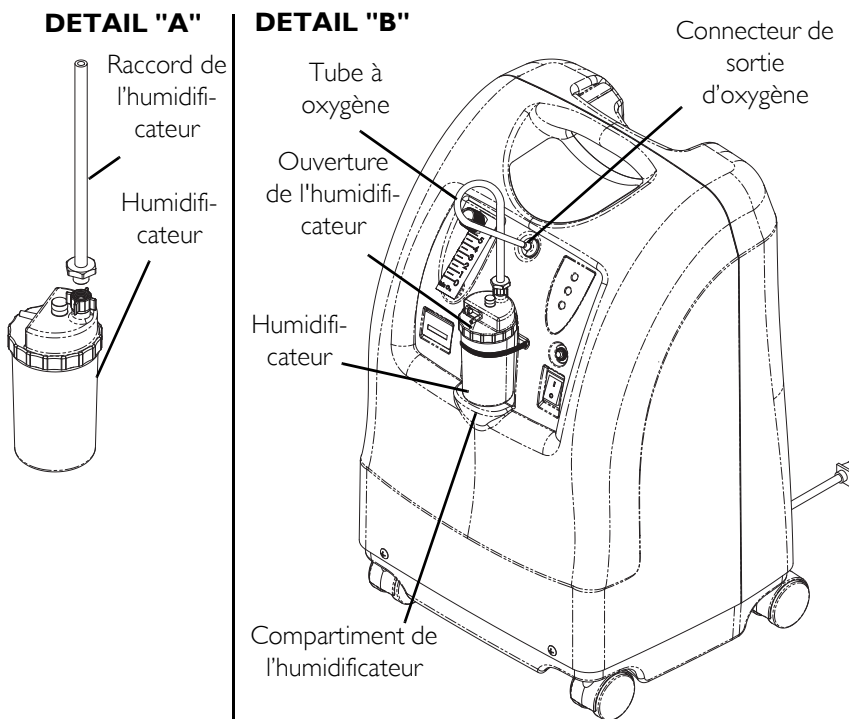


FIGURE 6.3 Compartiment de l'humidificateur

Interrupteur

REMARQUE : Pour cette procédure, se reporter à FIGURE 6.4.

1. Mettre l'interrupteur sur la position Marche. Tous les voyants lumineux et l'alarme sonore s'allument pendant une seconde pour indiquer que l'appareil fonctionne normalement.

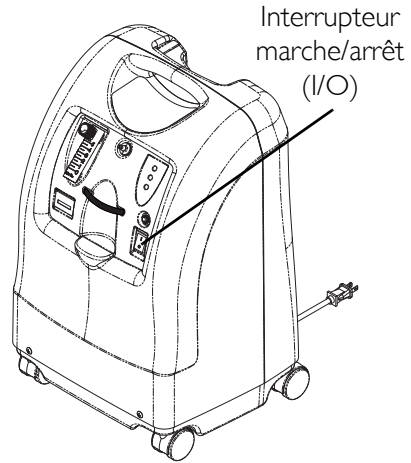


FIGURE 6.4 Interrupteur

Débit

REMARQUE : Pour cette procédure, se reporter à FIGURE 6.5.

REMARQUE : Veiller à ne pas régler le débit au-dessus de l'anneau ROUGE. Un taux de débit d'oxygène supérieur à 5 L/min diminuera la concentration d'oxygène.

1. Tourner le bouton de débit sur le réglage recommandé par le médecin.

⚠ MISE EN GARDE

NE PAS modifier le réglage L/mn du débitmètre tant qu'un changement n'a pas été demandé par le médecin.

REMARQUE : Pour bien lire le débitmètre, repérer le trait de débit recommandée. Tourner ensuite le bouton de débit de façon à voir la bille monter jusqu'au trait. Maintenant, centrer la bille sur le trait L/mn recommandé.

REMARQUE : Une alerte d'obstruction potentielle indique un état pouvant être associé à une obstruction partielle ou complète de la sortie d'oxygène.

2. Si jamais le débit du débitmètre passe en-dessous de 0,5 l/min pendant plus d'une minute, l'alerte d'obstruction potentielle est déclenchée. L'alarme sonore émet des signaux rapides. Contrôler le tube ou les accessoires pour repérer tout blocage ou pincement du tube ou un défaut de l'humidificateur. Une fois le débit nominal restauré entre 0,5 l/min et 0,75 l/min, l'alerte d'obstruction potentielle s'arrête.

REMARQUE : L'utilisation de certains accessoires comme le débitmètre pédiatrique PreciseRx™ et le compresseur HomeFill désactive l'alerte d'obstruction potentielle.

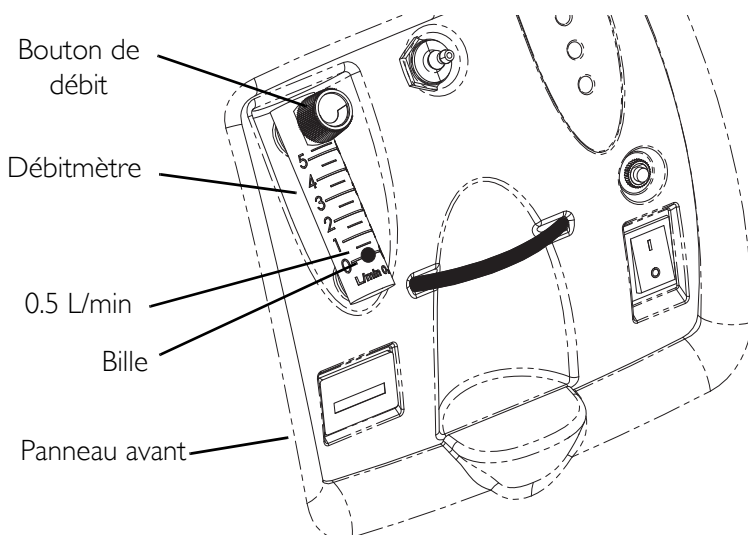


FIGURE 6.5 Débit

Témoin de la pureté de l'oxygène SensO₂ - Modèle IRC5PO2AW

Ce dispositif contrôle la pureté de l'oxygène généré par le concentrateur d'oxygène. Si la pureté tombe au-dessous des normes préréglées à l'usine, les voyants du tableau de contrôle s'allument.

Mise en marche initiale du concentrateur

REMARQUE : Le concentrateur peut être utilisé pendant la durée de chauffe du démarrage initial (environ 30 mn) en attendant que le voyant de pureté O₂ vert s'allume.

Lorsque l'appareil est mis en marche, le voyant VERT s'allume (SYSTÈME CORRECT/O₂ supérieur à 85 %). Après 5 minutes, le capteur d'oxygène fonctionne normalement et commande les voyants lumineux en fonction de la concentration d'oxygène définie.

Explication des témoins lumineux de la pureté de l'oxygène - Modèle IRC5PO2AW

REMARQUE : Pour cette procédure, se reporter à FIGURE 6.6 en page 57.

Voyant VERT (O₂) - Fonctionnement normal.

Témoin lumineux JAUNE (⚠) - Appelez le fournisseur immédiatement. Le patient peut continuer à utiliser le concentrateur sauf instructions contraires de la part du prestataire. S'assurer que la réserve d'oxygène est à proximité.

Voyant ROUGE (⚡) - Arrêt total de l'appareil. Passez immédiatement sur un apport d'oxygène de secours et appelez le fournisseur.

Témoin lumineux VERT - avec un clignotant JAUNE - appelez le fournisseur immédiatement. Mauvais fonctionnement du capteur d'oxygène ; le patient peut continuer d'utiliser le concentrateur.

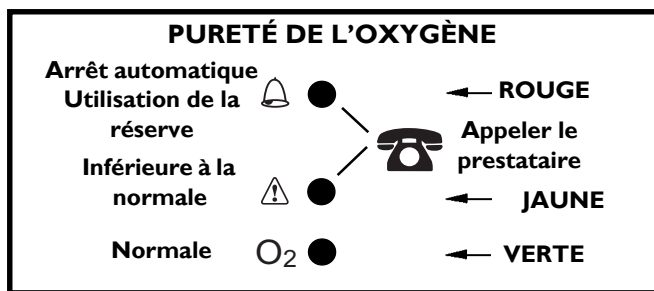


FIGURE 6.6 Explication des témoins lumineux de la pureté de l'oxygène - Modèle IRC5PO2AW

Explication des témoins lumineux - Modèle IRC5PAW

REMARQUE : Pour cette procédure, se reporter à FIGURE 6.7.

Modèle IRC5PAW - Explication des témoins lumineux

Voyant ROUGE (⚠) - Arrêt total de l'appareil. Passez immédiatement sur un apport d'oxygène de secours et appelez le fournisseur.

Voyant VERT (I/O) - Marche/arrêt. Système correct.

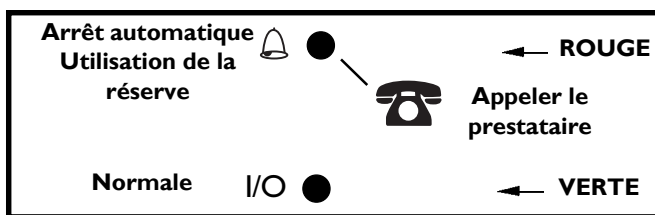


FIGURE 6.7 Explication des témoins lumineux - Modèle IRC5PAW

Compteur horaire

Le compteur horaire affiche le cumul des heures de fonctionnement de la machine.

SECTION 7—ENTRETIEN

⚠ MISE EN GARDE

Les concentrateurs Invacare sont spécialement conçus pour minimiser les opérations de maintenance préventive de routine. Seules les personnes qualifiées sont autorisées à effectuer l'entretien de routine du concentrateur.

Débrancher le concentrateur lors du nettoyage. Pour éviter les risques d'électrocution, NE PAS retirer le capot supérieur.

REMARQUE : La maintenance préventive DOIT au moins être effectuée conformément aux instructions du carnet de maintenance. Une maintenance plus fréquente peut s'avérer nécessaire sur les sites très poussiéreux ou impliquant des niveaux de suies élevés. Refer to Rapport de maintenance préventive on page 60.

Entretien de routine

Nettoyage des filtres

ATTENTION

NE PAS faire fonctionner le concentrateur si les filtres ne sont pas installés.

REMARQUE : Pour cette procédure, se reporter à FIGURE 7.1 en page 59.

REMARQUE : Il y a un filtre situé à l'arrière du caisson.

1. Enlevez le filtre et nettoyez le si nécessaire.

REMARQUE : Les conditions environnementales nécessitant une vérification plus fréquente et le nettoyage du filtre incluent, mais ne se limitent pas à: poussière dense, polluants atmosphériques, etc.

2. Nettoyer le filtre à l'aspirateur ou à l'eau chaude savonneuse et les rincer soigneusement.
3. Séchez le filtre soigneusement avant de le remettre.

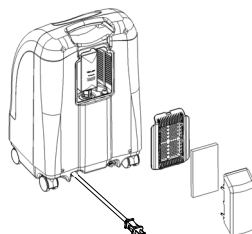
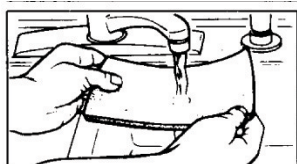


FIGURE 7.1 Nettoyage des filtres

Nettoyer le caisson supérieur

1. Nettoyer le caisson supérieur avec un produit nettoyant doux et un chiffon ou une éponge douce.

Nettoyer l'humidificateur

REMARQUE : Pour nettoyer l'humidificateur d'oxygène, suivre les instructions fournies par le fabricant. Sinon, suivre ces ÉTAPES :

1. Nettoyer l'humidificateur tous les jours.
2. Le laver à l'eau savonneuse et le rincer avec une solution de dix volumes d'eau pour un de vinaigre.
3. Le rincer soigneusement à l'eau chaude et le remplir d'eau distillée jusqu'au niveau indiqué sur l'humidificateur.

SECTION 8 — GUIDE DE DÉPANNAGE

SYMPTÔME :	CAUSE PROBABLE :	SOLUTION :
Alarme :	Perte d'alimentation principale :	
Bips sonores, courts, longue	1. Le cordon n'est pas branché.	1. Insérer la fiche dans la prise.
Le concentrateur ne fonctionne pas, L'interrupteur est sur marche	2. Pas de courant à la sortie.	2. Contrôler le disjoncteur ou les fusibles. Si le problème se produit de nouveau, utiliser une autre prise.
Bip....Bip....	3. Disjoncteur déclenché.	3. Pousser/réinitialiser le coupe circuit. Si le problème persiste, appelez votre service client.
Alarme : Continue	Défaillance du système :	1a. Retirer le filtre caisson et le nettoyer.
Le concentrateur ne fonctionne pas. L'interrupteur est sur marche	1. Surchauffe de l'appareil du fait du blocage de l'admission d'air.	1b. Éloigner le concentrateur d'oxygène des murs, rideaux ou meubles à une distance minimale de 30,5 centimètres (12 pouces).
Biiiiiiip.....	2. Puissance insuffisante à la sortie.	2. NE PAS utiliser de rallonge. Passer à une autre circuit ou prise électrique.
	3. Réparations internes requises.	3. Appeler le service après-vente.

SYMPTÔME :	CAUSE PROBABLE :	SOLUTION :
Voyant JAUNE ou ROUGE allumé. Alarme : Continue Voyant ROUGE uniquement. * S'applique uniquement sur les modèles IRC5PO2AW	1. Pureté d'oxygène faible.*	1. Nettoyer ou remplacer le filtre.
	2. Tube, canule ou humidificateur coudé ou bloqué.*	2. Contrôler l'absence de coudes ou blocages. Rectifier, nettoyer ou remplacer l'article. Une fois la correction exécutée, mettre hors tension pendant 60 secondes, puis de nouveau sous tension.
	3. Débitmètre à 0.5 L/min *.	3. Vérifier que le débitmètre est réglé sur 1.0 L/mn ou plus. Se reporter à <u>Paramètres types du produit</u> en page 46.
	4. Surchauffe de l'appareil du fait du blocage de l'admission d'air.	4a. Retirer le filtre caisson et le nettoyer. 4b. Éloigner le concentrateur d'oxygène des murs, rideaux ou meubles à une distance minimale de 30,5 centimètres (12 pouces).
	5. Puissance insuffisante à la sortie.	5. NE PAS utiliser de rallonge. Passer à une autre circuit ou prise électrique.
	6. Réparations internes requises.	6. Appeler le service après-vente.
Voyant VERT avec clignotement voyant JAUNE	1. Réparations internes requises.	1. Appeler le service après-vente.

SYMPTÔME :	CAUSE PROBABLE :	SOLUTION :
<p>Alarme : Rapide</p> <p>Bip... Bip... Bip... Bip...</p>	<p>Alerte d'obstruction potentielle</p> <p>Ia. Possibilité d'obstruction interne du passage d'oxygène.</p> <p>Ib. Tube, canule ou humidificateur coudé ou bloqué.</p> <p>Ic. Débitmètre à 0.5 L/min</p>	<p>Ia. Contrôler l'absence de coudes ou blocages. Rectifier, nettoyer ou remplacer l'article. Une fois la correction exécutée, mettre hors tension pendant 60 secondes, puis de nouveau sous tension.</p> <p>Ib. Les débits inférieurs à 1 l/mn ne sont pas recommandés.</p> <p><i>REMARQUE : L'utilisation du débitmètre pédiatrique désactive l'alerte d'obstruction potentielle.</i></p>

SECTION 9—ACCESSOIRES EN OPTION

Les accessoires en option ci-dessous sont également disponibles:

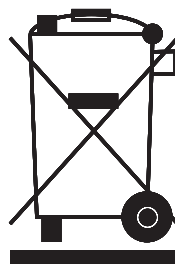
- Cannule nasale adulte standard, 2.1 m (7 feet)- M3120
- Humidificateur standard - M5120
- Débitmètre pédiatrique PreciseRX™/Débitmètre - IRCPF16AW
- Compresseur à oxygène particulier HomeFill - IOH200AW

INFORMATIONS DE RECYCLAGE

Ce produit a été livré par un fabricant soucieux de l'environnement et conforme à la directive 2002/96/CE sur la mise au rebut des équipements électroniques et électriques WEEE.

Ce produit est susceptible de contenir des substances potentiellement nocives pour l'environnement s'il est mis au rebut dans des endroits (décharges) non conformes à la législation en vigueur.

Le symbole « poubelle barrée » est apposé sur ce produit pour vous encourager à le recycler dans les structures de collecte appropriées.



Veillez vous comporter de manière responsable vis-à-vis de l'environnement et recycler ce produit arrivé en fin de vie par le biais d'un centre de recyclage.

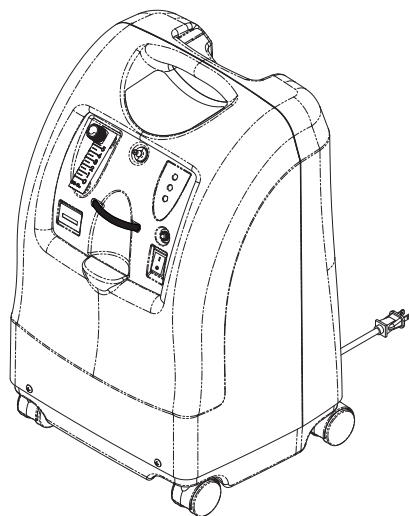
Manuale d'uso

Serie Perfecto₂TM

Concentratori di ossigeno senza SensO₂[®],

Concentratori di ossigeno con SensO₂

Compatibili con HomeFill[®]



Modello IRC5PO2AW
Modello IRC5PO2VAW

Modello IRC5PAW



Rivenditore: Consegnare IL presente manuale all'utente finale.

Utente: PRIMA di utilizzare questo prodotto, leggere il presente manuale e conservarlo per consultazione successiva.



Yes, you can.®

AVVERTENZA

NON utilizzare questo prodotto o qualsiasi altro apparecchio opzionale disponibile senza aver prima letto per intero e aver compreso queste istruzioni ed eventuale altro materiale informativo quali i manuali per l'utente, i manuali di manutenzione o i fogli di istruzioni forniti con questo prodotto o con l'apparecchio opzionale. Se non si comprendono le avvertenze, i messaggi di attenzione o le istruzioni, rivolgersi a un operatore sanitario, rivenditore o tecnico qualificato prima di provare a utilizzare questa apparecchiatura. In caso contrario, possono verificarsi lesioni o da.

AVVERTENZA SUGLI ACCESSORI

I prodotti Invacare sono specificamente progettati e fabbricati per essere utilizzati insieme agli accessori Invacare. Gli accessori progettati da altri costruttori non sono stati testati da Invacare e pertanto se ne sconsiglia l'utilizzo con i prodotti Invacare.

ACCESSORI

Con questo dispositivo è possibile utilizzare molti tipi diversi di umidificatori, tubi dell'ossigeno, cannule e maschere. Rivolgersi al proprio fornitore di apparecchiature per la cura a domicilio per suggerimenti sui dispositivi più adatti in ogni caso specifico. Verranno fornite informazioni sull'utilizzo adeguato, la manutenzione e la pulizia.

Gli accessori di erogazione (cannula nasale, maschera, tubo, umidificatore, ecc.) usati per fornire ossigeno al paziente richiedono che siano previsti dei sistemi per la propagazione del fuoco tra gli accessori per la sicurezza del paziente e degli altri. Qualora sia disponibile in commercio, come accessorio viene impiegato un dispositivo di arresto del flusso attivato dal fuoco, che deve essere collocato il più vicino possibile al paziente.

INDICE

ACCESSORI	67
NOTE SPECIALI	69
SEZIONE 1—INDICAZIONI GENERALI	71
Interferenze a radiofrequenza	73
POSIZIONE DELLE ETICHETTE	75
SEZIONE 3—CARATTERISTICHE	76
SEZIONE 4—MANEGGIO	77
Disimballaggio.....	77
Ispezione.....	77
Conservazione	77
SEZIONE 5—DESCRIZIONE TECNICA	78
Uso previsto	78
Descrizione Technica	78
SEZIONE 6—PARAMETRI TIPICI DEL PRODOTTO	79
SEZIONE 7—ISTRUZIONI PER L'USO	83
Introduzione	83
Scelta di una ubicazione	83
Preparazione all'uso	84
Velocità di flusso.....	87
Indicatore di purezza dell'ossigeno SensO ₂ - Modello IRC5PO2AW	88
Avvio iniziale del concentratore	89
Spiegazione delle spie luminose - Modello IRC5PAW	90
Indicatore di tempo trascorso (contaore)	90
SEZIONE 8—MANUTENZIONE	91
Manutenzione di routine.....	91
SEZIONE 9—GUIDA ALLA RISOLUZIONE DEI PROBLEMI	94
SEZIONE 10—ACCESSORI OPZIONALI	96
INFORMAZIONI PER IL RICICLO	97
INFORMAZIONI SUL SERVIZIO ASSISTENZA AL CLIENTE E SULLA GARANZIA	198

NOTE SPECIALI

Le parole utilizzate in questo manuale per le segnalazioni si riferiscono a situazioni o procedure pericolose che potrebbero causare lesioni alle persone o danni alle proprietà. Per una definizione delle parole utilizzate per le segnalazioni fare riferimento alla seguente tabella.

SEGNALAZIONE	SIGNIFICATO
 PERICOLO	Pericolo indica una situazione di pericolo imminente che, se non evitata, provoca il decesso o lesioni gravi.
 AVVERTENZA	Avvertenza indica una situazione di potenziale pericolo che, se non evitata, potrebbe provocare il decesso o lesioni gravi.
ATTENZIONE	Attenzione indica una situazione di potenziale pericolo che, se non evitata, può provocare danni alle cose e/o lesioni non gravi.

AVVISO

Le informazioni contenute in questo documento sono soggette a variazioni senza preavviso.

PERICOLO

NON FUMARE durante l'utilizzo di questo dispositivo. Tenere i fiammiferi, le sigarette accese o altre fonti di incendio fuori dal locale in cui è ubicato questo prodotto e lontane dal punto in cui viene erogato ossigeno.

Mettere bene in evidenza i DIVIETI DI FUMARE. I tessuti e altri materiali che normalmente non brucerebbero si infiammano facilmente e bruciano con grande intensità in aria con alta concentrazione di ossigeno. La mancata osservanza di questa avvertenza può essere causa di gravi incendi, danni alle proprietà e lesioni fisiche o decesso.

ATTENZIONE

“Attenzione: La legislazione può limitare la vendita di questo dispositivo da parte o su prescrizione di un medico ospedaliero o di qualsiasi altro medico autorizzato dalla legislazione dell’agenzia governativa presso la quale esercita la sua attività ad utilizzare.

Invacare raccomanda di ricorrere a una fonte alternativa di ossigeno supplementare in caso di mancanza di corrente elettrica, situazione di allarme o guasto meccanico.

Consultare il proprio medico o il fornitore dell'apparecchio per informazioni sul tipo di sistema di riserva da utilizzare.

Quest’apparecchio deve essere usato come integrazione di ossigeno e non va considerato come un supporto o un sostegno vitale.

SEZIONE I—INDICAZIONI GENERALI

Per garantire che il montaggio, il collegamento e il funzionamento del concentratore Perfecto₂ avvengano in condizioni di sicurezza, è essenziale **ATTENERSI** a queste istruzioni.

⚠ AVVERTENZA

Questa sezione contiene informazioni importanti per il funzionamento e l'utilizzo in sicurezza di questo prodotto.

⚠ PERICOLO

Rischio di scosse elettriche. **NON** smontare l'apparecchio. Per qualsiasi intervento, rivolgersi a personale qualificato. Non sono presenti parti della cui revisione tecnica debba occuparsi l'utente.

**RIDUZIONE DEL RISCHIO DI USTIONI,
ELETTRUCUZIONE, INCENDIO O LESIONI
PERSONALI**

Non usare l'apparecchio quando si fa il bagno. Se il medico ha prescritto l'uso ininterrotto, il concentratore DEVE essere collocato in un'altra stanza, a una distanza di almeno 2,5 m (7 piedi) dalla vasca.

NON toccare il concentratore quando è bagnato.

NON installare o conservare l'apparecchio in una posizione in cui possa cadere in acqua o in un altro liquido.

NON toccare l'apparecchio se è caduto in acqua. Staccare IMMEDIATAMENTE la spina.

⚠ PERICOLO

Se il cavo o la spina del concentratore sono danneggiati, se il concentratore non funziona correttamente, è caduto o è stato danneggiato o è stato immerso in acqua, rivolgersi a un tecnico specializzato affinché provveda alla necessaria verifica e riparazione.

Nel caso in cui olio, grassi o sostanze unte vengano a contatto con l'ossigeno sotto pressione, è possibile che si sviluppi una combustione violenta e spontanea. Tali sostanze DEVONO essere quindi tenute lontane dal concentratore di ossigeno, dalle tubature, dalle connessioni e da qualsiasi altro apparecchio ad ossigeno. NON usare alcun lubrificante a meno che non sia espressamente consigliato da Invacare.

Informazioni operative

Per ottimizzare le prestazioni, Invacare consiglia di accendere e far funzionare ogni concentratore per almeno 30 minuti per volta. Periodi di funzionamento più brevi possono ridurre la durata di vita massima del prodotto.

Il tubo dell'ossigeno, il cavo e l'unità non devono essere tenuti sotto a coperte, copriletto, cuscini o capi d'abbigliamento e devono essere tenuti lontani da superfici calde o fonti di calore, quali stufe, piani di cottura e apparecchi elettrici simili.

NON tirare il cavo di alimentazione per spostare o collocare altrove il concentratore.

Non lasciare MAI cadere né inserire alcun oggetto o liquido in nessuna apertura.

Invacare raccomanda di utilizzare con questo prodotto tubi dell'ossigeno antischiacciamento di lunghezza non superiore a 15,2 m (50 piedi).

Non sono presenti parti della cui revisione tecnica debba occuparsi l'utente. Questo non riguarda i componenti da sottoporre a manutenzione ordinaria. Vedere la sezione sulla manutenzione per informazioni sui componenti della cui manutenzione deve occuparsi l'utente.

Non lasciare MAI l'apparecchio senza sorveglianza quando è sotto tensione (spina inserita). Accertarsi che Perfecto₂ sia spento, ovvero su Off, quando non viene utilizzato.

Quando l'apparecchio è usato in presenza di bambini o di persone disabili, è necessario prestare una scrupolosa attenzione.

Possono essere necessarie una maggiore attenzione o misure supplementari di controllo se il paziente che utilizza questo dispositivo non è in grado di sentire o vedere gli allarmi o di comunicare eventuale fastidio.

NON connettere il concentratore in parallelo o in serie con altri concentratori di ossigeno o altri dispositivi per la terapia a base di ossigeno.

Interferenze a radiofrequenza

Il presente apparecchio è stato sottoposto a collaudo e ne è stata verificata la conformità con i limiti di compatibilità elettromagnetica specificati dalla norma IEC/EN 60601-1-2. Questi limiti sono stati elaborati per fornire una protezione ragionevole contro le interferenze elettromagnetiche di una tipica apparecchiatura medica.

Altri dispositivi potrebbero subire interferenze perfino con i bassi livelli di emissioni elettromagnetiche consentiti dagli standard di cui sopra. Per stabilire se l'interferenza è causata da Perfecto₂, spegnere il concentratore. Se l'interferenza con l'altro o gli altri dispositivi scompare, significa che è causata da Perfecto₂. In questi rari casi, l'interferenza può essere ridotta o eliminata adottando uno dei rimedi seguenti:

- Cambiare la posizione, spostare altrove o aumentare la distanza fra gli apparecchi.
- Collegare l'apparecchio a una presa di un circuito elettrico diverso da quello che alimenta l'altro o gli altri dispositivi.

Evitare la creazione di qualsiasi scintilla in vicinanza dell'apparecchio, comprese quelle di origine elettrostatica create da qualsiasi tipo di attrito.

POSIZIONE DELLE ETICHETTE

Perfecto₂[™]

PER LE ISTRUZIONI PER L'USO O GLI ALLARMI, (vedere il manuale d'uso)

- ⚠ PERICOLO - RISCHIO DI INCENDIO
VIETATO FUMARE - Tenere TUTTE le fonti di incendio fuori dal locale in cui è ubicato questo prodotto e lontane dalle aree in cui viene erogato ossigeno. Tessuti, olio e altri combustibili si incendiano facilmente e bruciano con grande intensità in aria con alta concentrazione di ossigeno.
- ⚠ PERICOLO - SCOSSA ELETTRICA
NON rimuovere il coperchio. Per qualsiasi intervento, rivolgersi a personale qualificato.
- ⚠ Portate inferiori a 0,5 l/min fanno scattare l'allarme di potenziale ostruzione (avviso acustico con ripetizione rapida)
- ⚠ Impostare il flussometro su 2,5 l/min o meno quando si riempiono le HomeFill®
Compatibile con

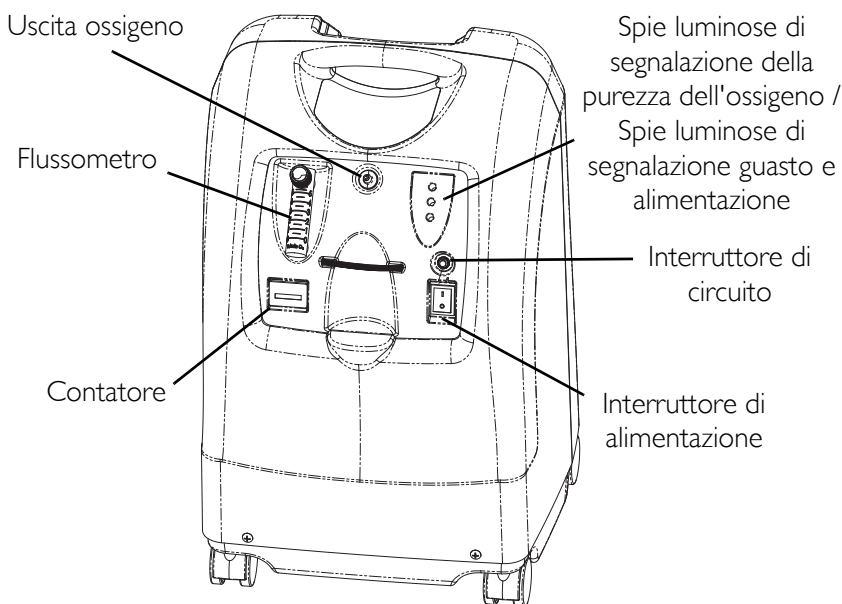



L'etichetta del numero di serie è ubicata sul gruppo di aspirazione del risonatore

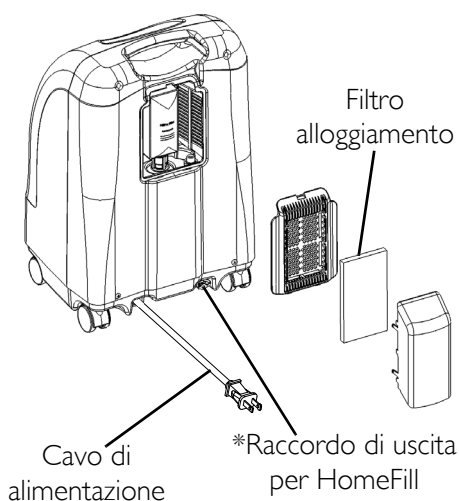
L'etichetta delle specifiche è ubicata sul lato posteriore, in basso



SEZIONE 3—CARATTERISTICHE



VISTA POSTERIORE



**NOTA: Questo raccordo di uscita deve essere usato solo per riempire di ossigeno i cilindri con il compressore di ossigeno HomeFill. Il raccordo di uscita non incide sulle prestazioni del concentratore. Per informazioni relative al collegamento e al funzionamento, consultare il manuale dell'utente di HomeFill, numero di parte 1145804. Quando non è utilizzata, la spina fornita con il concentratore deve essere inserita nel raccordo di uscita. Per maggiori informazioni su HomeFill, contattare il rivenditore Invacare.*

SEZIONE 4—MANEGGIO

Il concentratore deve essere tenuto **SEMPRE** in posizione verticale per evitare danni all'alloggiamento durante il trasporto.

Se il concentratore deve essere rispedito mediante un normale corriere, Invacare fornisce materiale da imballo supplementare.

Disimballaggio

NOTA: Per questa procedura, fare riferimento alla FIGURA 4.1.

1. Verificare che il cartone e il relativo contenuto non abbiano subito nessun danno evidente. Se il danno è evidente, avvisare il corriere o il rivenditore locale.
2. Rimuovere l'imballo.
3. Estrarre con cura dal cartone tutti i componenti.

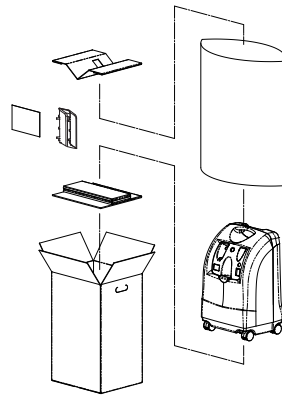


FIGURA 4.1 Disimballaggio

NOTA: Se il concentratore di ossigeno non deve essere usato IMMEDIATAMENTE, lasciarlo nel suo imballo fino a quando non si presenta la necessità di utilizzarlo.

Ispezione

1. Verificare che l'esterno del concentratore di ossigeno non presenti scheggiature, ammaccature, graffi o altri danni. Ispezionare tutti i componenti.

Conservazione

1. Conservare il concentratore all'interno del proprio imballo all'asciutto.
2. **NON** posare alcun oggetto sulla parte superiore dell'imballo del concentratore.

SEZIONE 5—DESCRIZIONE TECNICA

Uso previsto

Il concentratore di ossigeno è stato progettato per uso individuale da parte dei pazienti con malattie respiratorie che necessitano di ossigeno supplementare. Il dispositivo non va considerato come un supporto o un sostegno vitale.

Descrizione Tecnica

Il concentratore Perfecto₂ Invacare è destinato a pazienti con disfunzioni respiratorie che necessitano di ossigeno supplementare. Il dispositivo non è destinato a sostenere o garantire la sopravvivenza.









Il livello di concentrazione dell'ossigeno del gas erogato è compreso fra l'87% e il 95,6%. L'ossigeno viene somministrato al paziente mediante una cannula nasale.

Il concentratore Perfecto₂ Invacare utilizza un setaccio molecolare e un processo di assorbimento per oscillazione della pressione per produrre l'ossigeno erogato. L'aria dell'ambiente circostante entra nel dispositivo, viene filtrata e quindi compressa. Quest'aria compressa viene successivamente indirizzata verso uno dei due setacci di assorbimento dell'azoto. L'ossigeno concentrato fuoriesce dal lato opposto del setaccio attivo e viene convogliato in un serbatoio di ossigeno da cui viene somministrato al paziente.

Il concentratore Perfecto₂ Invacare può essere utilizzato dal paziente a casa o presso una struttura sanitaria. Il dispositivo funziona con un'alimentazione nominale di 230 V CA/ 50 hertz.

Le informazioni di carattere tecnico verranno fornite su richiesta esclusivamente al personale tecnico qualificato.

SEZIONE 6—PARAMETRI TIPICI DEL PRODOTTO

	Corrente alternata
	Apparecchio tipo BF
	In funzione
	Non in funzione
	Attenzione - Consultare la documentazione acclusa
	NON fumare
	Classe II, doppio isolamento
IPX0	Non protetto
	Questo prodotto è conforme alla direttiva 93/42/CEE riguardante i dispositivi medici. La data di lancio di questo prodotto è indicata nella dichiarazione di conformità CE.
Requisiti elettrici:	230 V CA \pm 10% (253 V CA/207 V CA), 50 Hz
Corrente nominale in entrata:	1,4 A
Livello acustico:	39,5 dBA in media
Altitudine:	Fino a 1828 metri (6000 piedi) sul livello del mare senza degrado dei livelli di concentrazione. Sconsigliato l'uso sopra i 1828 metri (6000 piedi)
Livelli di concentrazione dell'erogazione di ossigeno:	Tutti i modelli IRC5PO2AW / IRC5PAW da 87% a 95,6% a 0,5 - 5 l/min
<i>NOTE: I livelli di concentrazione indicati vengono raggiunti dopo un periodo di riscaldamento iniziale (circa 30 minuti).</i>	
Pressione massima in uscita:	34,5 kPa \pm 3,45 kPa (5 psi \pm 0,5 psi)
Velocità di flusso:	Da 0,5 a 5 l/min (max). Per velocità di flusso inferiori a 1 l/min, si raccomanda l'uso dell'accessorio flussometro pediatrico Invacare (IRCPF16AW).




SEZIONE 6—PARAMETRI TIPICI DEL PRODOTTO

Avviso di potenziale ostruzione	Da 0 l/min a 0,5 l/min Il concentratore rileva una condizione che può indicare una potenziale ostruzione per l'ossigeno in uscita. Bip sonoro di allarme con ripetizione rapida (questo avviso è disattivato quando vengono collegati gli accessori). Può essere associato con una regolazione di flusso di 0,5 l/min o meno.
Consumo medio di corrente Consumo:	300 W 280 W a ≤ 3 l/min
Meccanismo di regolazione della pressione operativo a:	24 l kPa \pm 24, l kPa (35 psi \pm 3,5 psi)
Variazione rispetto al flusso massimo raccomandato quando si applica una contropressione di 7 kPa:	0,7 l/min
Filtri:	Alloggiamento (2), uscita HEPA ed entrata compressore.
Sistema di sicurezza:	Sovraccarico di corrente o arresto per sovratensione. Arresto del compressore per temperatura elevata. Allarme di alta pressione con arresto del compressore. Allarme di bassa pressione con arresto del compressore. Allarme per perdita di alimentazione senza batterie. Avviso di possibile ostruzione del sistema ad ossigeno SensO2.
Larghezza:	38,1 cm \pm 1 cm (15 pollici \pm 3/8 pollici)
Altezza:	58,4 cm \pm 1 cm (23 pollici \pm 3/8 pollici)
Profondità:	30,5 cm \pm 1 cm (12 pollici \pm 3/8 pollici)
Peso:	20.5 kg \pm 1 kg (45 lbs \pm 2 lbs)
Peso di spedizione:	22.7 kg \pm 1 kg (50 lbs \pm 2 lbs)
Ambiente operativo Temperatura:	10 °C - 35 °C (50 °F - 90 °F) con 20-60% di umidità relativa
Temperatura aria di raffreddamento di scarico:	Inferiore alla temperatura ambiente +19 °C (+35 °F)
Temperatura di erogazione ossigeno:	Inferiore alla temperatura ambiente + 2°C (+6 °F)
Alloggiamento:	Alloggiamento in plastica antifiamma resistente agli urti conforme alla norma UL 94-V0.
Non AP/APG	Non idoneo all'uso in presenza di una miscela anestetica infiammabile.
Standard e norme:	IRC5PO2AW/IRC5PAW IEC/EN61000-3-2 IEC/EN61000-3-3, IEC/EN 60601-1, A1, A2 IEC/EN 60601-1-2 Solo modelli IRC5PO2AW ISO8359 MDD 93/42/CEE, Allegati I e IX

SEZIONE 6—PARAMETRI TIPICI DEL PRODOTTO

Modelli con marchio CE	IRC5PO2AW
Elettricità:	Vietato l'uso di prolunghe.
Ubicazione:	Collocare a una distanza minima di 30,5 cm (12 pollici) da pareti, tende o mobili al fine di garantire una circolazione sufficiente dell'aria. Evitare tappeti troppo spessi, termosifoni, riscaldatori o altri erogatori d'aria calda. Collocare esclusivamente sul pavimento.
Tubazione:	Cannula da 2 m (7 piedi) con tubo antischiacciamento di lunghezza massima di 15 m (50 piedi) (NON piegare).
Durata di funzionamento:	Fino a 24 ore al giorno.
Temperatura raccomandata di immagazzinamento e di spedizione:	Da -29 °C a 65 °C, con 15-95% di umidità relativa.
Ambiente:	Assenza di fumo e di fuliggine. Non collocare in spazi chiusi (es. armadi).
Tempo di funzionamento minimo:	30 minuti


SPIE DEL MODELLO IRC5PO2AW

SIMBOLO ETICHETTA	PUREZZA OSSIGENO	SPIE LUMINOSE (LED)
	SISTEMA OK O ₂ oltre 85% (± 2%)	Spia luminosa VERDE
	O ₂ tra 73% (± 3%) e 85% (±2%)	Spia luminosa GIALLA A. GIALLO fisso B. GIALLO lampeggiante Guasto Rivolgersi a un tecnico specializzato.
	ERRORE SISTEMA O ₂ inferiore al 73% (± 3%)	Spia luminosa ROSSA Allarme sonoro continuo Arresto del compressore Sieve-GARD

SPIE DEL MODELLO IRC5PAW

SIMBOLO ETICHETTA	STATO	SPIE LUMINOSE (LED)
I/O	SISTEMA OK	Spia luminosa VERDE

SEZIONE 6—PARAMETRI TIPICI DEL PRODOTTO

	ERRORE SISTEMA	Spia luminosa ROSSA Allarme sonoro continuo Arresto del compressore Sieve-GARD™ Arresto Rivolgersi a un tecnico specializzato.
---	-----------------------	---

SEZIONE 7—ISTRUZIONI PER L'USO

Introduzione

Il concentratore di ossigeno è destinato a un utilizzo individuale. Si tratta di un dispositivo elettronico che separa l'ossigeno dall'aria ambiente fornendo al paziente ossigeno ad alta concentrazione tramite una cannula nasale. Studi clinici hanno dimostrato che i concentratori di ossigeno equivalgono a livello terapeutico ad altri sistemi di erogazione di ossigeno.

Richiedere al proprio rivenditore di effettuare una dimostrazione dell'uso del concentratore E di rispondere ad eventuali domande. Questo manuale per l'utente illustra le caratteristiche del concentratore e se ne raccomanda la consultazione per un utilizzo ottimale dell'apparecchio.

Scelta di una ubicazione

AVVERTENZA

NON bloccare MAI le bocchette dell'aria del concentratore e non posizionarlo mai su una superficie morbida, come un letto o un divano, che possa impedire l'entrata dell'aria. Mantenere le aperture del concentratore libere da ogni eventuale ostruzione (peli, capelli, ecc.).

Spostare concentratore di ossigeno ad almeno 30,5 cm di distanza da pareti, tende o mobili.

Scegliere una camera in cui l'utilizzo del concentratore risulti il più pratico possibile. Il concentratore può essere spostato facilmente da una camera all'altra grazie alle apposite rotelle.

Il concentratore di ossigeno fornisce prestazioni ottimali se utilizzato in presenza delle condizioni dettagliate nei Parametri tipici del prodotto a pagina 79. L'uso in condizioni diverse da quelle descritte può determinare un aumento della manutenzione richiesta. La presa di aria dell'apparecchio deve trovarsi in una zona ben ventilata in modo da evitare vapori e/o sostanze inquinanti sospese nell'aria.

Preparazione all'uso

1. Inserire il cavo di alimentazione in una presa elettrica.
2. Connettere l'umidificatore (se prescritto)

⚠ AVVERTENZA

NON superare il livello indicato.

NON invertire le connessioni di entrata ed uscita dell'ossigeno. L'acqua deve fluire dal flacone dell'umidificatore tramite la cannula fino al paziente.

NOTA: Per questa procedura, fare riferimento a FIGURA 7.1 e FIGURA 7.2 a pagina 85 e a FIGURA 7.3 a pagina 86.

1. Rimuovere il tappo del flacone.
2. Riempire l'umidificatore con acqua distillata fino al livello indicato dal fabbricante. Riporre il tappo dell'umidificatore e stringere bene.

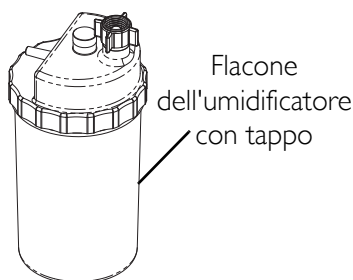


FIGURA 7.1 Riempimento dell'umidificatore

3. Inserire un cacciavite a testa piatta nella scanalatura della piastra sul bordo superiore dello sportello di accesso al filtro e far leva con delicatezza sullo sportello (FIGURA 7.2).
4. Tirare verso l'alto e rimuovere l'adattatore del flacone dell'umidificatore (FIGURA 7.2).
5. Rimettere a posto lo sportello di accesso al filtro e montare su di esso la presa d'aria dinamica inserendo le sei linguette presenti sulla presa nei sei intagli presenti sui lati dello sportello di accesso al filtro.

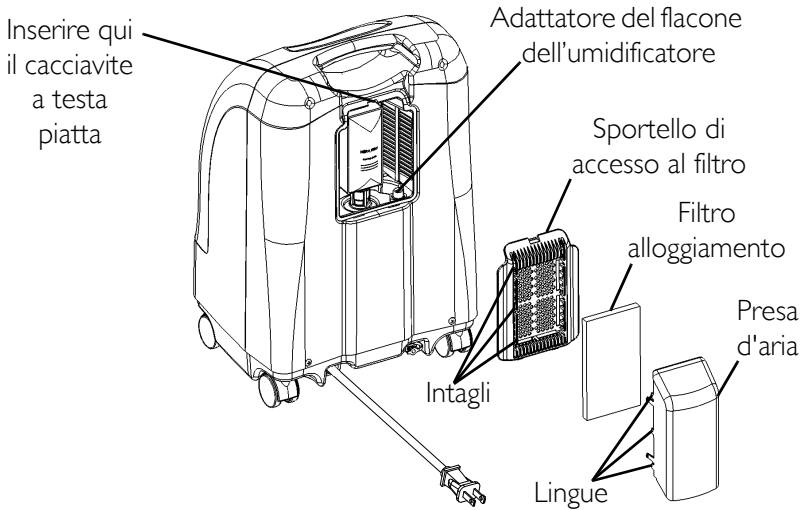
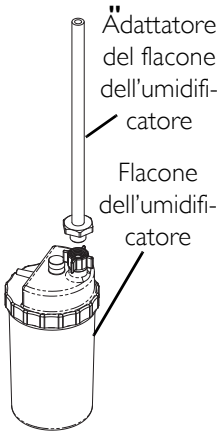


FIGURA 7.2 Adattatore del flacone dell'umidificatore

6. Applicare l'adattatore del flacone dell'umidificatore al flacone stesso ruotando in senso antiorario su di esso il dado ad alette fino a fissarlo saldamente. Vedere il Dettaglio "A" nella FIGURA 7.3.
7. Collocare il gruppo flacone dell'umidificatore/adattatore nello scomparto dell'umidificatore sul concentratore. Vedere il Dettaglio "B" nella FIGURA 7.3.

8. Collegare il tubo dell'ossigeno proveniente da gruppo flacone dell'umidificatore/adattatore al connettore di uscita dell'ossigeno sul concentratore. Vedere il Dettaglio "B" nella FIGURA 7.3.
9. Collegare la cannula/il tubo di erogazione al paziente all'uscita del flacone dell'umidificatore. Vedere il Dettaglio "B" nella FIGURA 7.3.
10. Accertarsi che l'ossigeno passi nella cannula.

DETTAGLIO "A"



DETTAGLIO "B"

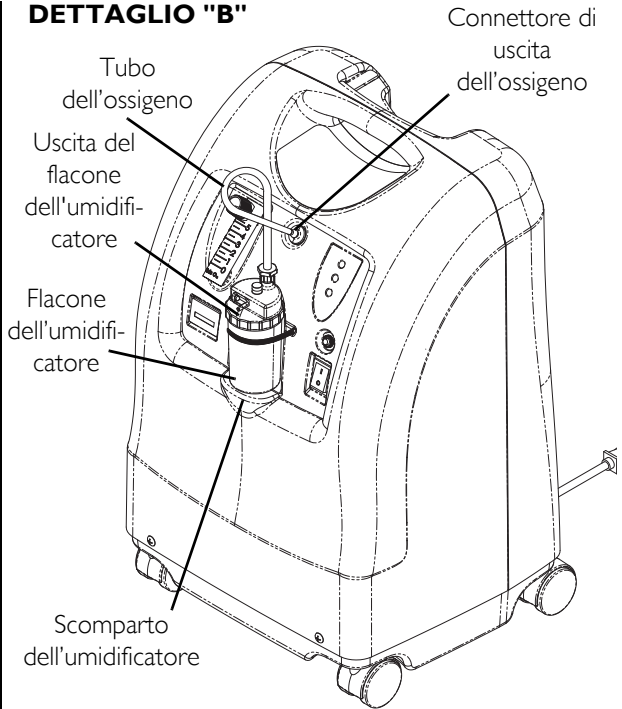


FIGURA 7.3 Scomparto dell'umidificatore

Interruttore di alimentazione

NOTE: Per questa procedura, fare riferimento alla FIGURA 7.4.

1. Posizionare l'interruttore di alimentazione su On. Per un secondo tutte le spie si illuminano e l'allarme acustico risuona per indicare che l'apparecchio funziona correttamente.

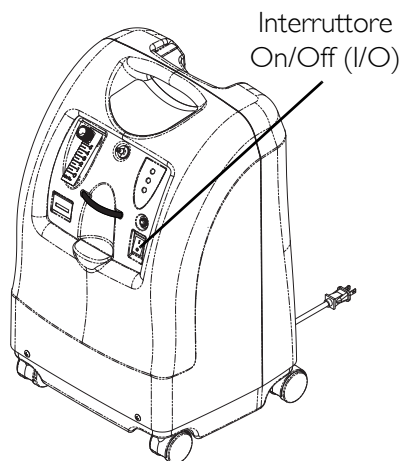


FIGURA 7.4 Interruttore di alimentazione

Velocità di flusso

NOTA: Per questa procedura, fare riferimento alla FIGURA 7.5.

NOTA: Fare attenzione a non regolare l'erogazione al di sopra del livello ROSSO. Una velocità del flusso di ossigeno superiore a 5 l/min comporta una riduzione della concentrazione dell'ossigeno.

1. Ruotare la manopola della velocità di flusso sul valore prescritto dal medico o dal terapeuta.

⚠ AVVERTENZA

NON modificare sul flussometro la regolazione l/min senza prescrizione medica.

NOTA: Per leggere correttamente il flussometro, indentificare la riga della velocità di flusso prescritta. Ruotare quindi la manopola fino a quando la sfera non viene a trovarsi sulla riga. Portare infine la sfera sulla riga l/min desiderata.

NOTA: Un avviso di possibile ostruzione indica una condizione che può essere associata ad una parziale o completa ostruzione dell'uscita dell'ossigeno.

- Se la portata del flussometro dovesse scendere al di sotto di 0,5 l/min per più di circa un minuto, viene attivato l'avviso di potenziale ostruzione costituito da un allarme sonoro a rapida emissione di bip. Controllare che il tubo o altri accessori non siano bloccati o eventualmente piegati e che il flacone dell'umidificatore non sia difettoso. Successivamente, quando la portata nominale viene ripristinata tra 0,5 l/min e 0,75 l/min, l'avviso di potenziale ostruzione si disattiva.

NOTA: L'utilizzo di alcuni accessori come il flussometro pediatrico PreciseRx™ e il compressore HomeFill, disattivano l'avviso di potenziale ostruzione.

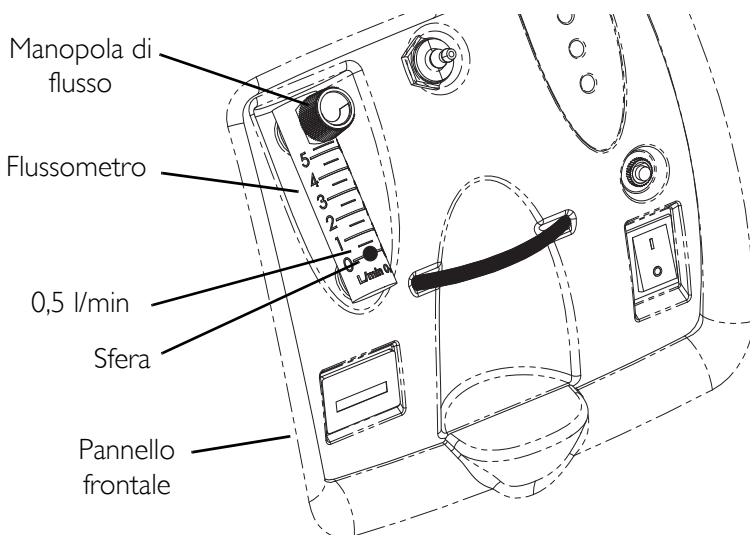


FIGURA 7.5 Velocità di flusso

Indicatore di purezza dell'ossigeno SensO₂ - Modello IRC5PO2AW

Questa funzione tiene sotto controllo la purezza dell'ossigeno generato dal concentratore. Se la purezza scende al di sotto del valore prefissato in fabbrica, si illumina un'apposita spia sul quadro di comando.

Avvio iniziale del concentratore

NOTA: il concentratore può essere usato durante il riscaldamento iniziale (30 min circa) mentre si aspetta che la purezza dell' O₂ raggiunga il massimo livello.

Quando si accende l'apparecchio, si illumina la spia verde (SISTEMA OK / O₂ superiore all'85%). Dopo 5 minuti, il sensore dell'ossigeno funziona normalmente e controlla le spie in funzione ai valori di concentrazione di ossigeno.

Spiegazione delle spie luminose di segnalazione della purezza dell'ossigeno - Modello IRC5PO2AW

NOTA: Per questa procedura, fare riferimento alla FIGURA 7.6 a pagina 90.

Spia VERDE (O₂) - Funzionamento normale.

Spia GIALLA (⚠) - Chiamare immediatamente il fornitore. Si può continuare ad usare il concentratore salvo istruzioni contrarie del fornitore. Accertarsi di avere a portata di mano dell'ossigeno di emergenza.

Spia ROSSA (🛑) - Arresto totale dell'apparecchio. Passare immediatamente alla fonte di ossigeno di emergenza e chiamare il fornitore.

Spia VERDE - con spia GIALLA lampeggiante - Chiamare immediatamente il fornitore. Sensore dell'ossigeno guasto, ma si può continuare a usare il concentratore.

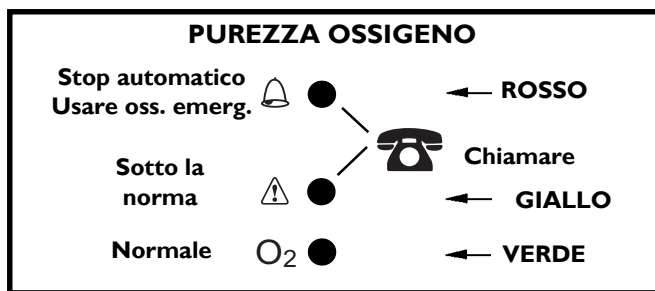


FIGURA 7.6 Spiegazione delle spie luminose di segnalazione della purezza dell'ossigeno - Modello IRC5PO2AW

Spiegazione delle spie luminose - Modello IRC5PAW

NOTA: Per questa procedura, fare riferimento alla FIGURA 7.7.

Spiegazione delle spie luminose del modello IRC5PAW

Spia ROSSA (🔔) - Arresto totale dell'apparecchio. Passare immediatamente a una fonte di ossigeno di emergenza e chiamare il fornitore.

Spia VERDE (I/O) - On/Off. Sistema OK.

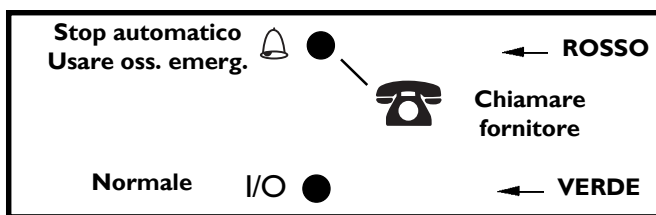


FIGURA 7.7 Spiegazione delle spie luminose - Modello IRC5PAW

Indicatore di tempo trascorso (contaore)

Il contaore visualizza il numero totale di ore di funzionamento dell'apparecchio.

SEZIONE 8—MANUTENZIONE

⚠ AVVERTENZA

I concentratori Invacare sono specificamente progettati per ridurre al minimo gli interventi di manutenzione preventiva di routine. La manutenzione preventiva del concentratore deve essere eseguita esclusivamente da personale qualificato.

Scollare il concentratore prima di pulirlo. Per evitare scosse elettriche, NON rimuovere l'alloggiamento.

NOTA: La manutenzione preventiva DEVE essere effettuata almeno secondo le linee guida del registro di manutenzione. In sedi di installazione con elevate livelli di polvere o fuliggine, potrebbero essere necessari interventi di manutenzione più frequenti. Fare riferimento Verbale di manutenzione preventiva a pagina 93.

Manutenzione di routine

Pulizia del filtro dell'alloggiamento

ATTENZIONE

NON usare il concentratore senza il filtro installato.

NOTA: Per questa procedura, fare riferimento alla FIGURA 8.1 a pagina 92.

NOTA: C'è un filtro ubicato sul retro dell'alloggiamento.

1. Rimuoverlo e pulirlo secondo necessità.

NOTA: Le condizioni ambientali che possono rendere necessari intervalli più ravvicinati di ispezione e pulizia del filtro comprendono, a titolo esemplificativo: forte presenza di polvere, inquinanti atmosferici, ecc.

2. Pulire il filtro dell'alloggiamento con un aspirapolvere o lavarlo con acqua calda saponata e sciacquarlo accuratamente.
3. Asciugare completamente il filtro prima di rimontarlo.

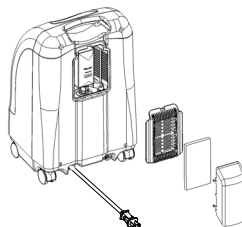
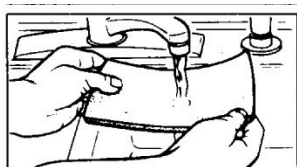


FIGURA 8.1 Pulizia del filtro dell'alloggiamento

Pulizia dell'alloggiamento

1. Pulire l'alloggiamento con un detergente delicato e con un panno o una spugna non abrasiva.

Pulizia dell'umidificatore

NOTA: Per pulire l'umidificatore dell'ossigeno, seguire le istruzioni fornite dal fabbricante o. Se non si dispone delle stesse, procedere come SEGUE:

1. Pulire l'umidificatore ogni giorno.
2. Lavarlo con acqua e sapone e sciacquarlo con una soluzione di dieci parti d'acqua e una di aceto.
3. Sciacquare accuratamente con acqua calda e riempirlo di nuovo con acqua distillata fino al livello indicato sull'umidificatore.

SEZIONE 9—GUIDA ALLA RISOLUZIONE DEI PROBLEMI

SINTOMO:	CAUSA PROBABILE:	SOLUZIONE:
Allarme:	Perdita di corrente:	
Bip brevi con lunga pausa	1. Cavo di alimentazione NON inserito.	1. Inserire la spina nella presa.
Il concentratore non funziona. Interruttore su On.	2. Mancanza di corrente sulla presa.	2. Ispezionare gli interruttori di circuito e i fusibili. Se il problema si ripresenta, usare una presa diversa.
Bip.....Bip.....	3. Interruttore di circuito scattato.	3. Premere/Resettare l'interruttore di circuito. Se il problema si ripete, chiamare la società che fornisce assistenza.
Allarme: Continuo	Errore sistema:	1a. Rimuovere e pulire i filtri dell'alloggiamento.
Il concentratore non funziona. Interruttore su On.	1. Surriscaldamento dovuto a ostruzione sull'entrata dell'aria.	1b. Spostare concentratore di ossigeno ad almeno trenta centimetri di distanza da pareti, tende o mobili.
Biiiiiiiiiiip....	2. Corrente insufficiente nella presa.	2. NON usare prolunghie. Usare un'altra presa elettrica o un altro circuito.
	3. Necessaria una riparazione interna.	3. Chiamare il servizio di assistenza.

SINTOMO:	CAUSA PROBABILE:	SOLUZIONE:
<p>Spia GIALLA o ROSSA accesa.</p> <p>Allarme: Continuo Solo sulla spia ROSSA.</p> <p>* Riguarda soltanto i modelli IRC5PO2AW.</p>	1. Scarsa purezza dell'ossigeno*.	1. Pulire o sostituire i filtri.
	2. Tubo, cannula o umidificatore schiacciati o bloccati*.	2. Verificare che non ci siano schiacciamenti o blocchi. Correggere, pulire o sostituire il componente. Spegnerne per 60 secondi e riaccendere.
	3. Flussometro impostato su 0,5 l/min*.	3. Verificare che il flussometro sia impostato su 1 l/min o più. Refer to Parametri tipici del prodotto on page 79.
	4. Surriscaldamento dovuto a ostruzione sull'entrata dell'aria.	4a. Rimuovere e pulire i filtri dell'alloggiamento. 4b. Spostare concentratore di ossigeno ad almeno trenta centimetri di distanza da pareti, tende o mobili.
	5. Corrente insufficiente nella presa.	5. NON usare prolunghe. Usare un'altra presa elettrica o un altro circuito.
	6. Necessaria una riparazione interna.	6. Chiamare il servizio di assistenza.
Spia VERDE con spia GIALLA lampeggiante.	1. Necessaria una riparazione interna.	1. Chiamare il servizio di assistenza.
<p>Allarme: Rapido</p> <p>Bip... Bip... Bip... Bip...</p>	<p>Avviso di potenziale ostruzione</p> <p>1a. Possibile ostruzione nel percorso dell'ossigeno.</p> <p>1b. Tubo, cannula o umidificatore schiacciati o bloccati.</p> <p>1c. Flussometro impostato su 0,5 l/min.</p>	<p>1a. Verificare che non ci siano schiacciamenti o blocchi. Correggere, pulire o sostituire il componente. Spegnerne per 60 secondi e riaccendere.</p> <p>1b. Le velocità di flusso inferiori a 1 l/min non sono raccomandate.</p> <p>NOTA: L'uso del flussometro pediatrico disattiva l'avviso di potenziale ostruzione.</p>

SEZIONE 10—ACCESSORI OPZIONALI

Sono disponibili anche i seguenti accessori opzionali:

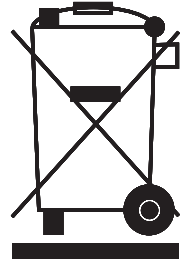
- Cannula nasale standard per adulti, 2,1 m (7 piedi) - M3120
- Umidificatore standard - M5120
- Accessorio flussometro/umidificatore pediatrico PreciseRX™ - IRCPF16AW
- Compressore per ossigeno domiciliare HomeFill - IOH200AW

INFORMAZIONI PER IL RICICLO

Questo prodotto è stato fornito dal fabbricante nel rispetto dell'ambiente e in conformità alla direttiva 2002/96/CE sui rifiuti di apparecchiature elettriche ed elettroniche (RAEE).

Questo prodotto potrebbe contenere delle sostanze nocive all'ambiente se smaltite in maniera non corretta o lasciate in punti di raccolta non appropriati e non conformi a quanto previsto dalla legislazione.

Il simbolo del "contenitore di spazzatura barrato" riportato sul prodotto invita al riciclaggio ovunque sia possibile.

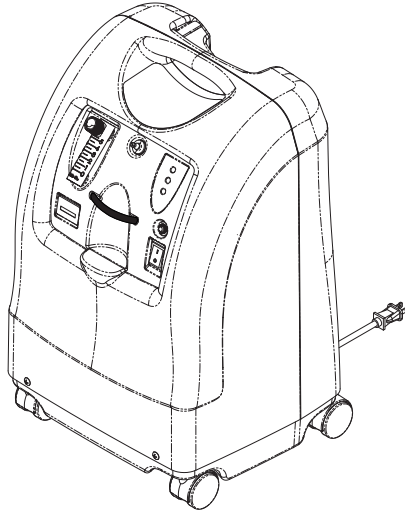


Si invita al rispetto dell'ambiente riciclando il prodotto al termine del ciclo di vita presso apposite strutture di raccolta.

Benutzerhandbuch

Perfecto₂TM Series

Sauerstoffkonzentratoren mit SensO₂
HomeFill[®]-kompatibel



Modell IRC5PO2AW
Modell IRC5PO2VAW

Modell IRC5PAW



CE 0434

Händler: Dieses Handbuch MUSS dem Endbenutzer übergeben werden.

Benutzer: Lesen Sie bitte VOR Verwendung dieses Produktes dieses Handbuch und bewahren Sie es für den weiteren Gebrauch auf.



Yes, you can.®

WARNUNG

Verwenden Sie dieses Produkt oder irgendein verfügbares Sonderzubehör NICHT, ohne zuvor diese Anweisungen, sowie alle anderen Bedienungsunterlagen, wie das Benutzerhandbuch, das Wartungshandbuch oder die zusammen mit diesem Produkt oder dem Sonderzubehör gelieferten Hinweisblätter vollständig gelesen und verstanden zu haben. Wenn Sie die Warnhinweise, Vorsichtshinweise oder Anweisungen nicht verstehen, wenden Sie sich an medizinisches Fachpersonal, einen Fachhändler oder an qualifiziertes technisches Personal, bevor Sie dieses Produkt in Betrieb nehmen – ansonsten kann es zu Verletzungen oder Sachbeschädigungen kommen.

ZUBEHÖR-WARNUNG

Die Produkte von Invacare werden speziell für den Gebrauch mit Invacare-Zubehör entwickelt und hergestellt. Von anderen Herstellern entworfenes Zubehör wurde von Invacare nicht getestet und wird daher nicht für die Verwendung mit Produkten von Invacare empfohlen.

ZUBEHÖR



Dieses Gerät kann mit zahlreichen unterschiedlichen Typen von Atemluftbefeuchtern, Sauerstoffschläuchen, Kanülen und Masken betrieben werden. Sie sollten in Ihrem lokalen Fachhandel erfragen, welche dieser Geräte sich am besten für Sie eignen. Dort werden Sie auch Informationen über die richtige Anwendung, Wartung und Reinigung erhalten. Das Versorgungszubehör (Nasenkanüle, Maske, Schläuche, Befeuchter usw.), mit dem der Patient mit Sauerstoff versorgt wird, muss mit einem Gerät verwendet werden, das die Ausbreitung von Bränden im Zubehör verhindert, um die Sicherheit des Patienten und anderer Personen zu gewährleisten. Wenn bei der Einrichtung des Zubehörs ein handelsübliches, durch Feuer ausgelöstes Gerät zum Anhalten des Flusses verwendet wird, sollte dies so nah am Patienten platziert werden, wie es praktisch möglich ist.

INHALTSVERZEICHNIS

ZUBEHÖR	99
BESONDERE HINWEISE	101
PLATZIERUNG DES AUFKLEBERS	103
ABSCHNITT 1—ALLGEMEINE RICHTLINIEN	104
Hochfrequenzstörungen	106
ABSCHNITT 2—	
LEISTUNGSMERKMALE	108
ABSCHNITT 3—UMGANG MIT DEM GERÄT	109
Auspacken	109
Überprüfung	109
Lagerung	109
ABSCHNITT 4—TECHNISCHE BESCHREIBUNG	110
Bestimmungsgemäßer Gebrauch	110
Technische Beschreibung	110
ABSCHNITT 5—TECHNISCHE DATEN	111
ABSCHNITT 6—	
BEDIENUNGSANLEITUNG	115
Einführung	115
Standortwahl	115
Inbetriebnahme	116
Flussrate.....	119
Anzeige Sauerstoffreinheit SensO ₂ - Modell IRC5PO2AW ..	121
Inbetriebnahme des Konzentrators	121
Beschreibung Anzeigeleuchten - Modell IRC5PAW	122
Betriebsstundenzähler	123
ABSCHNITT 7—WARTUNG	124
Routine-Wartung	124
ABSCHNITT 8—ANLEITUNG ZUR FEHLERSUCHE ..	127
ABSCHNITT 9—ALS OPTION ERHÄLTliches	
ZUBEHÖR	130
RECYCLINGHINWEISE	131
KUNDENINFORMATION ÜBER SERVICE UND	
WARTUNGEN	198

BESONDERE HINWEISE

In dieser Anleitung werden Signalwörter verwendet, welche Gefahren oder unsichere Vorgehensweisen, welche Verletzungen und Beschädigungen hervorrufen können, kennzeichnen. Die Definitionen der Signalwörter finden Sie in der folgenden Tabelle.

SIGNALWORT	BEDEUTUNG
 GEFAHR	Bezeichnet eine unmittelbar gefährliche Situation, die, wenn sie nicht vermieden wird, zu schweren oder tödlichen Verletzungen führt.
 WARNUNG	Bezeichnet eine potenziell gefährliche Situation, die, wenn sie nicht vermieden wird, zu schweren oder tödlichen Verletzungen führen kann.
VORSICHT	Bezeichnet eine potenziell gefährliche Situation, die, wenn sie nicht vermieden wird, zu Sachschäden oder geringfügigen Verletzungen oder beidem führen kann.

HINWEIS

Die in diesem Dokument enthaltenen Informationen können ohne Ankündigung verändert werden.

GEFAHR

Den Benutzern ist das **RAUCHEN** während der Verwendung dieses Produkts **UNTERSAGT**. Sorgen Sie dafür, dass keine Streichhölzer, brennenden Zigaretten oder andere Zündquellen in den Raum gelangen, in dem sich das Produkt befindet und halten Sie diese fern von Orten, an denen Sauerstoff austritt.

⚠ GEFÄHR

Schilder mit der Aufschrift RAUCHEN VERBOTEN sollten deutlich sichtbar angebracht werden. Textilien und andere Materialien, die normalerweise nicht brennen würden, werden in mit Sauerstoff angereicherter Luft leicht entzündet und brennen mit großer Intensität. Die Missachtung dieser Warnung kann zu schweren Bränden und Sachschäden führen sowie körperliche Verletzungen oder den Tod verursachen.

VORSICHT

„Vorsicht: Gesetzlich kann der Erwerb dieses Geräts auf den Verkauf an einen Arzt oder auf dessen Anordnung bzw. an jede/n andere/n Fachmann/frau eingeschränkt sein, gemäß den jeweils geltenden gesetzlichen Vorschriften, unter denen er/sie praktiziert.“

Invacare empfiehlt für den Fall eines Stromausfalls, eines Alarmzustands oder eines technischen Fehlers, eine alternative Quelle zur zusätzlichen Sauerstoffversorgung vorzuhalten. Konsultieren Sie Ihren Arzt oder Händler hinsichtlich der nötigen Eigenschaften eines Reservesystems.

Dieses Gerät ist als Sauerstoffergänzung zu verwenden und wird nicht als lebensunterstützend oder lebenserhaltend betrachtet.

PLATZIERUNG DES AUFKLEBERS

Perfecto₂™

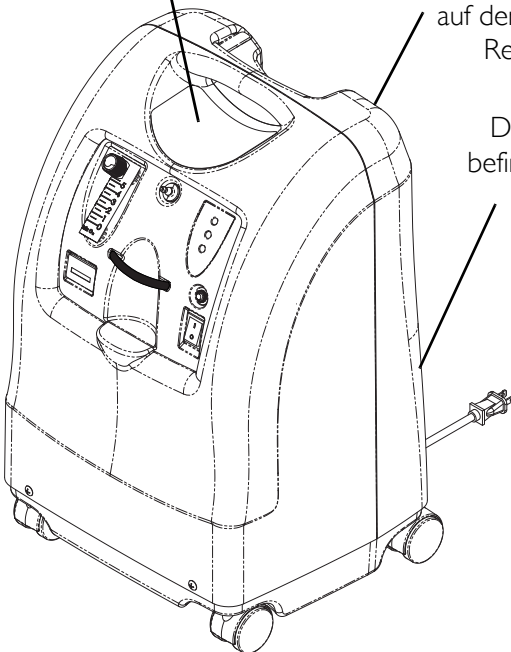
FÜR BETRIEBSANWEISUNGEN oder ALARMMELDUNGEN (siehe Bedienerhandbuch)

- ⚠ ACHTUNG - BRANDGEFAHR
 RAUCHEN VERBOTEN - Halten Sie ALLE möglichen Quellen von Funken von dem Raum, in dem sich dieses Produkt befindet und Bereichen, in denen Sauerstoff angeliefert wird, fern. Stoffe, Öle und andere Brennstoffe sind leicht entzündlich und brennen in einer mit Sauerstoff angereicherten Luft mit großer Intensität.
- ⚠ ACHTUNG - GEFAHR EINES STROMSCHLAGS
 Entfernen Sie NICHT die Abdeckung. Wartungsarbeiten dürfen nur von qualifiziertem Servicepersonal durchgeführt werden.
- ⚠ Bei einer Flussrate unter 0,5 l/min wird der Alarm bei potenzieller Obstruktion ausgelöst (akustischer schneller Alarm)
- ⚠ Stellen Sie den Durchflussregler auf 2,5 l/min oder weniger ein, wenn Sie HomeFill® Druckflaschen befüllen.
 HomeFill®
 Kompatibel



Das Etikett mit der Seriennummer befindet sich auf dem Einlass des Resonators

Das Typenschild befindet sich auf der Rückseite, in Bodennähe



ABSCHNITT I—ALLGEMEINE RICHTLINIEN

Um eine sichere Installation, den Zusammenbau und den Betrieb des Perfecto₂ Konzentrators zu gewährleisten, MÜSSEN diese Anweisungen befolgt werden.

⚠️ WARNUNG

Dieses Kapitel enthält wichtige Informationen für den sicheren Betrieb und die sichere Verwendung dieses Produkts.

⚠️ GEFAHR

Gefahr eines Stromschlags. Das Gerät NICHT auseinander nehmen. Wartungsarbeiten dürfen nur von qualifiziertem Servicepersonal durchgeführt werden. Keine durch den Benutzer zu wartenden Teile.

**REDUZIERUNG DES RISIKOS VON
VERBRENNUNGEN, STROMSCHLÄGEN, BRÄNDEN
ODER KÖRPERVERLETZUNGEN.**

Nicht beim Baden verwenden. Bei ärztlich vorgeschriebener kontinuierlicher Verwendung, MUSS der Konzentrator in einem anderen Raum, mindestens 2,5 m (7 Fuß) von der Badewanne entfernt stehen.

Den Konzentrator im nassen Zustand NICHT berühren.

Gerät NICHT an einem Ort aufstellen bzw. aufbewahren, wo es in Wasser oder eine andere Flüssigkeit fallen kann.

NICHT nach einem Gerät greifen, das ins Wasser gefallen ist. SOFORT den Stecker aus der Steckdose ziehen.

⚠ GEFAHR

Wenn am Konzentrator ein Kabel oder ein Stecker beschädigt ist, wenn der Konzentrator nicht ordnungsgemäß arbeitet, wenn der Konzentrator fallen gelassen oder beschädigt wurde oder ins Wasser gefallen ist, muss qualifiziertes Servicepersonal zur Überprüfung und ggf. Reparatur benachrichtigt werden.

Eine spontane und heftige Entzündung kann eintreten, falls Öl, Schmiermittel oder Fettstoffe in Kontakt mit unter Druck stehendem Sauerstoff kommen. Diese Stoffe **MÜSSEN** von Sauerstoffkonzentrator, Schläuchen und Anschlüssen sowie allen anderen Sauerstoffgeräten fern gehalten werden. **KEINE** Schmiermittel, Öle etc verwenden, es sei denn, dies wird von Invacare ausdrücklich empfohlen.

Betriebsinformationen

Invacare empfiehlt für eine optimale Leistung, dass jeder Konzentrator mindestens jeweils 30 Minuten laufen sollte. Kürzere Betriebszeiten können die maximale Nutzungsdauer des Produkts reduzieren.

Die Sauerstoffschläuche, Kabel sowie das Gerät nicht mit Gegenständen, wie Woldecken, Betbezügen, Stuhlkissen oder Kleidungsstücken bedecken und von heißen oder beheizten Oberflächen, wie Heizöfen, Herdplatten u. ä. elektrischen Geräten fernhalten.

Den Konzentrator **NICHT** durch Ziehen am Netzkabel bewegen oder verschieben.

NIE irgendwelche Gegenstände oder Flüssigkeiten in Öffnungen des Gerätes einführen, bzw. eindringen lassen.

Invacare empfiehlt die Verwendung knicksicherer Sauerstoffschläuche mit einer max. Länge von 15,2 m (50 Fuß) zusammen mit diesem Produkt.

Keine durch den Benutzer zu wartenden Teile.

Ausgenommen sind Objekte, die der gewöhnlichen Wartung unterliegen. Für die durch den Benutzer zu wartenden Objekte, siehe Kapitel "Wartung".

Am Netz angeschlossene Geräte sollten NIEMALS aus den Augen gelassen werden. Stellen Sie sicher, dass der Perfecto₂ ausgeschaltet ist, wenn er nicht verwendet wird.

Strenge Aufsicht ist erforderlich, wenn dieses Produkt in der Nähe von Kindern oder körperbehinderten Personen verwendet wird.

Bei Patienten, die Alarmhinweise nicht sehen oder hören oder ihr Unbehagen nicht mitteilen können, kann bei der Verwendung dieses Gerätes zusätzliche Überwachung oder Aufmerksamkeit notwendig sein.

Den Konzentrator NICHT parallel oder in Reihe mit anderen Sauerstoffkonzentratoren oder Sauerstofftherapiegeräten schalten.

Hochfrequenzstörungen

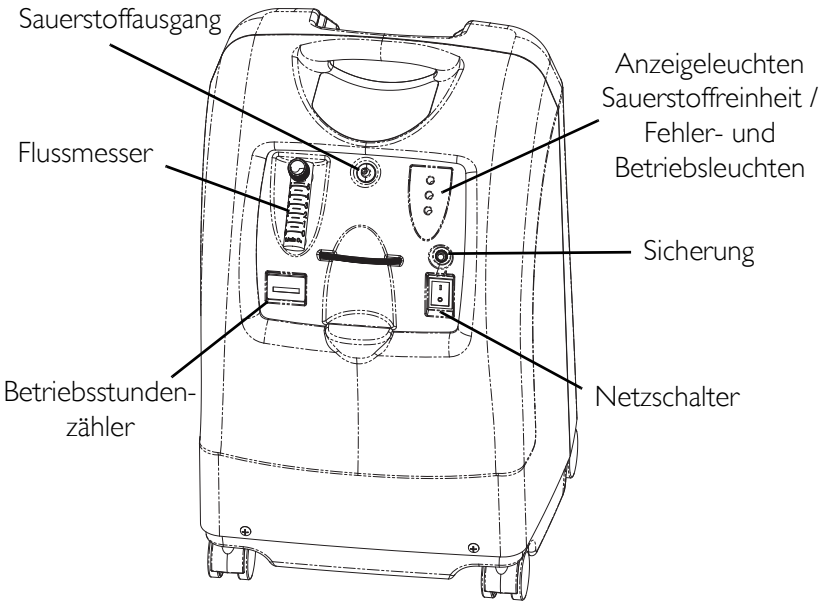
Dieses Gerät wurde getestet und im Einklang mit den EMV-Richtlinien IEC/EN 60601-1-2 für geeignet befunden. Diese Grenzwerte bieten einen angemessenen Schutz gegen elektromagnetische Störungen in einer typischen medizinischen Einrichtung.

An anderen Geräten kann es unter Umständen auch bei elektromagnetischen Strahlungen, die die oben genannten Standards nicht überschreiten, zu Störungen kommen. Schalten Sie den Perfecto₂ aus, um festzustellen, ob die Strahlungen des Perfecto₂ Störungen hervorrufen. Sollten Störungen an einem anderen Gerät/anderen Geräten aufhören, so verursacht der Perfecto₂ diese Störung. In einigen wenigen Fällen, kann die Störung durch eine der folgenden Maßnahmen behoben oder eingedämmt werden:

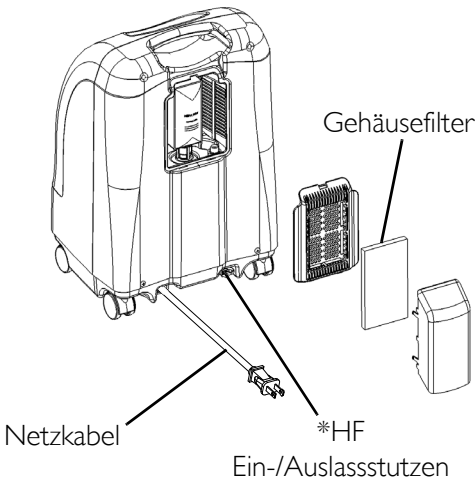
- Umstellen, Versetzen oder Vergrößern des Abstands zwischen den Geräten.
- Anschluss des Geräts an eine Steckdose oder einen Stromkreislauf, der von dem des anderen Gerätes/der anderen Geräte getrennt ist.

Jegliche Funkenbildung in der Nähe medizinischer Sauerstoffgeräte vermeiden. Hierzu gehören auch Funken, die durch statische Elektrizität (Reibung) entstehen.

ABSCHNITT 2— LEISTUNGSMERKMALE



RÜCKANSICHT



**HINWEIS: Dieser Ausgangsanschluss ist nur für die Befüllung von Sauerstoffflaschen mit dem HomeFill Sauerstoffkompressor zu verwenden. Der Ausgangsanschluss beeinflusst die Konzentratorleistung nicht. Anweisungen hinsichtlich Anschluss und Betrieb befinden sich im Benutzerhandbuch des HomeFill, Artikelnummer 1145804. Bei Nichtgebrauch sollte der mit dem Konzentrator gelieferte Stopfen in den Ausgangsanschluss gesteckt werden. Kontaktieren Sie Ihren Invacare-Händler für weitere Informationen zum HomeFill.*

ABSCHNITT 3—UMGANG MIT DEM GERÄT

Der Konzentrator sollte **IMMER** aufrecht transportiert werden, um das Gehäuse während des Transports nicht zu beschädigen.

Wird der Konzentrator auf gewöhnlichem Versandweg verschickt, sind bei Invacare zusätzliche Kartons erhältlich.

Auspacken

HINWEIS: Für dieses Verfahren, siehe ABBILDUNG 3.1.

1. Überprüfen, ob der Karton oder sein Inhalt offensichtliche Schäden aufweist. Bei sichtbaren Beschädigungen, den Transporteur oder Ihren Händler benachrichtigen.
2. Das gesamte lose Verpackungsmaterial vom Karton entfernen.
3. Alle Einzelteile vorsichtig aus dem Karton herausnehmen.

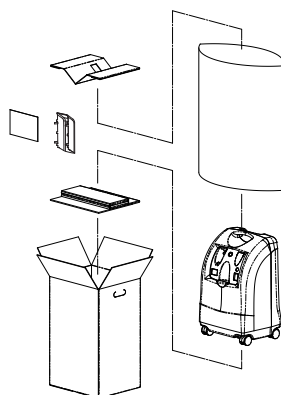


ABBILDUNG 3.1
Auspacken

*HINWEIS: Lassen Sie den Sauerstoffkonzentrator solange in der Verpackung, bis der Einsatz des Konzentrators **ERFORDERLICH** wird.*

Überprüfung

1. Das Äußere des Sauerstoffkonzentrators auf Einkerbungen, Dellen, Kratzer oder sonstige Beschädigungen untersuchen. Alle Teile prüfen.

Lagerung

1. Den wieder verpackten Sauerstoffkonzentrator in einem trockenen Bereich lagern.
2. **KEINE** anderen Gegenstände auf die Oberseite des wieder verpackten Konzentrators legen.

ABSCHNITT 4—TECHNISCHE BESCHREIBUNG

Bestimmungsgemäßer Gebrauch

Der Sauerstoffkonzentrator ist für den individuellen Gebrauch durch Patienten mit Atemwegsstörungen vorgesehen, die zusätzlichen Sauerstoff benötigen. Es ist nicht für die Verwendung als lebensunterstützendes oder lebenserhaltendes Gerät vorgesehen.

Technische Beschreibung









Die Sauerstoffkonzentration des ausfließenden Gases schwankt zwischen 87% und 95,6%. Der Sauerstoff wird dem Patienten durch die Verwendung einer Nasenkanüle zugeführt.

Der Invacare Perfecto₂ Konzentrator verwendet zur Produktion des Sauerstoffgases ein Molekularsieb und das Druckwechseladsorptionsverfahren. Umgebungsluft tritt in das Gerät ein, wird gefiltert und dann komprimiert. Die komprimierte Luft wird dann in eines der beiden Stickstoffadsorbierenden Siebbetten geleitet. Konzentrierter Sauerstoff tritt am anderen Ende des aktiven Siebbetts aus und wird in ein Sauerstoffreservoir geführt, von wo aus der dem Patienten zugeführt wird.

Der Invacare Perfecto₂ Konzentrator kann durch den Patienten in heimischer Umgebung oder in einer medizinischen Einrichtung verwendet werden. Das Gerät arbeitet mit normaler Netzspannung von 230 V/50 Hertz.

Auf Anfrage werden Wartungsinformationen ausschließlich an qualifiziertes technisches Personal ausgehändigt.

ABSCHNITT 5—TECHNISCHE DATEN

	Wechselspannung
	Vollisoliert, Schutzklasse BF
	Ein
	Aus
	Achtung! Begleitpapiere beachten
	Rauchen verboten
	Doppelt isoliert, Klasse II
IPX0	Gegen Spritzwasser geschützt
	Dieses Produkt entspricht der Richtlinie 93/42/EWG über Medizinprodukte. Der Markteinführungszeitpunkt für dieses Produkt ist in der CE-Konformitätserklärung angegeben.
Elektrische Anforderungen:	230 VAC \pm 10% (253 VAC/207 VAC), 50 Hz
Nennstromaufnahme:	1,4 A
Schallpegel:	39,5 dBA (DIN EN ISO 8359), 37 dBA (MDS-Hi)
Höhenlage:	Für alle Perfecto Sauerstoffkonzentratoren gilt: Bis zu 2438 Meter (8000 Ft) über dem Meeresspiegel ohne Verminderung des Konzentrationsniveaus. Ab einer Höhe von 2438 Meter bis zu 4000 Meter sinkt der Wirkungsgrad unter 90% Für alle Perfecto Sauerstoffkonzentratoren beim Füllen eines HomeFill Systems gilt: Bis zu 1828 Meter (6000 Ft) über dem Meeresspiegel ohne Verminderung des Konzentrationsniveaus. Ab einer Höhe von 1828 Meter bis zu 4000 Meter sinkt der Wirkungsgrad unter 90%



ABSCHNITT 5—TECHNISCHE DATEN

Sauerstoffleistungs- konzentrationsniveaus:	87% bis 95.6% bei 0,5 bis 5 l/min 93% ± 3% @ 2 L/min <i>HINWEIS: Die angegebenen Konzentrationsniveaus wurden nach einer Betriebsdauer von ca. 30 Min. erreicht.</i>
Maximaler Ausgangsdruck:	34,5 kPa ± 3,45 kPa (5 psi ± 0,5 psi)
Durchflussbereich:	0,5 bis 5 l/min (Maximum) Bei Flussraten unter 1 l/min, empfehlen wir die Verwendung des Invacare Kinder-Befeuchter/ Durchflussregler Zubehörs (IRCPF16AW)
Alarm wegen möglicher Behinderungen:	0 l/min bis 0,5 l/min Der Konzentrator findet eine Bedingung, die auf eine potenzielle Obstruktion des ausgegebenen Sauerstoffs hinweisen könnte. Akustischer Alarm mit schnell aufeinander folgenden Tönen (dieser Alarm ist deaktiviert, wenn Zubehör angeschlossen wird). Kann mit einer Flusseinstellung von 0,5 l/min oder weniger verknüpft werden.
Durchschnittlicher Stromverbrauch Stromverbrauchver- brauch:	Perfecto ₂ AW - 300 W @ 5 L/min, 280 W @ ≤ 3 L/min Perfecto ₂ VAW - 320 W @ 5 L/min
Druckentlastung wirksam bei:	24 l kPa ± 24,1 kPa (35 psi ± 3,5 psi)
Verringerung der maximal zulässigen Flussrate unter einem Gegendruck von 7 kPa:	0.7 l/min
Filter:	Gehäuse, Auslass-HEPA und Kompressoreinlass
Sicherheitssystem:	Überspannungs - oder Stromschutzabschaltung Abschaltung des Kompressors bei Überhitzung Alarm und Abschaltung des Kompressors bei Überdruck Alarm und Abschaltung des Kompressors bei Unterdruck Batteriefreier Netzausfall-Alarm. Alarm des SensO ₂ -Sauerstoffsystems bei potenzieller Obstruktion.
Breite:	38,1 cm ± 1 cm (15 Zoll ± 3/8 Zoll)
Höhe:	58,4 cm ± 1 cm (23 Zoll ± 3/8 Zoll)
Tiefe:	30,5 cm ± 1 cm (12 Zoll ± 3/8 Zoll)
Gewicht:	Perfecto ₂ AW - 20.5 kg ± 1 kg (45 lbs ± 2 lbs) Perfecto ₂ VAW - 18.1 kg ± 1 kg (40 lbs ± 2 lbs)


ABSCHNITT 5—TECHNISCHE DATEN

Versandgewicht:	Perfecto ₂ AW - 22.7 kg ± 1 kg (50 lbs ± 2 lbs) Perfecto ₂ VAW - 20.4 kg ± 1 kg (45 lbs ± 2 lbs)
Umgebungstemperatur Temperatur:	10°C – 35°C bei 20 – 60% relativer Luftfeuchtigkeit
Kühlluftauslass:	Geringer als Umgebung +19 °C
Sauerstoffauslass:	Geringer als Umgebung +3°C
Gehäuse:	Stoßfestes, flamm-hemmendes Kunststoffgehäuse entsprechend UL 94-V0
Kein AP/APG	Nicht geeignet für den Einsatz in Gegenwart brennbarer anästhetischer Mischungen.
Standards und Behördliche Zulassung:	IRC5PO2AW/IRC5PAW/IRC5PO2VAW: IEC/EN 60601-1, A1, A2 IEC/EN 60601-1-2 IEC/EN61000-3-2 IEC/EN61000-3-3, Nur IRC5PO2AW/IRC5PO2VAW Modell ISO8359 MDD 93/42/EEC, Anhang I und IX
Modelle mit CE-Marke	IRC5PO2AW & IRC5PO2VAW
Elektrik:	Kein Verlängerungskabel verwendbar
Standort:	Das Gerät mindestens 30,5 cm (12 Zoll) von Wänden, Vorhängen, Möbeln und Ähnlichem entfernt aufstellen, um ausreichende Belüftung zu gewährleisten Tiefe Florteppiche und Heizgeräte, Heizkörper oder Heizlüfter vermeiden Nur Bodenaufstellung Keine abgeschlossenen Räume (Beispiel: Keine Wandschränke)
Schlauch:	2,1 m Kanüle mit einem maximal 15,2 m langen stauchfesten Schlauch (NICHT quetschen).
Betriebszeit:	Bis zu 24 Stunden pro Tag.
Empfohlene Lager- und Versandtemperatur:	-29°C bis 65°C (-20°F bis 150°F) bei 15-95% relativer Luftfeuchtigkeit.
Umgebung:	Rauch- und rußfrei Keine abgeschlossenen Räume (Beispiel: Keine Wandschränke)
Minimale Betriebszeit:	30 Minuten

IRC5PO2AW & IRC5PO2VAW ANZEIGEN

BEZEICHNUNGS- SYMBOL	SAUERST- OFFREINHEIT	ANZEIGELEUCHTEN (LED)
O ₂	SYSTEM OKAY O ₂ über 85% (± 2%)	GRÜNES Licht
	O ₂ zwischen 73% (± 3%) und 85% (±2%)	GELBES Licht A. GELB Dauernd leuchtend B. GELB blinkender Sensor Ausfall Qualifizierten Techniker rufen.
	SYSTEMAUSFALL O ₂ unter 73% (± 3%)	ROTES Licht Kontinuierlicher akustischer Alarm Sieve-GARD Abschaltung des Kompressors

IRC5PAW ANZEIGEN

BEZEICHNUNGS- SYMBOL	SAUERST- OFFREINHEIT	ANZEIGELEUCHTEN (LED)
I/O	SYSTEM OKAY	GRÜNES Licht
	SYSTEMAUSFALL	ROTES Licht Kontinuierlicher akustischer Alarm Sieve-GARD™ Ausschaltung des Kompressors Qualifizierten Techniker rufen

ABSCHNITT 6— BEDIENUNGSANLEITUNG

Einführung

Ihr Sauerstoffkonzentrator ist für die individuelle Verwendung bestimmt. Er ist ein elektronisch betriebenes Gerät, das Sauerstoff von der Raumluft trennt. Dieses Gerät liefert über eine Nasenkanüle hohe Konzentrationen von Sauerstoff direkt an den Benutzer. Klinische Studien haben dokumentiert, dass Sauerstoffkonzentratoren mit anderen Sauerstoffzuführungssystemen therapeutisch äquivalent sind.

Ihr Händler wird Sie in die Verwendung des Sauerstoffkonzentrators einweisen. Sie sollten sich bei Fragen oder Problemen hinsichtlich des Sauerstoffkonzentrators an Ihren Händler wenden. Dieses Bedienungshandbuch wird Sie über Ihren Konzentrator informieren und Ihnen bei der Benutzung Ihres Konzentrators als Nachschlagewerk dienen.

Standortwahl

WARNUNG

NIEMALS die Luftöffnungen des Geräts blockieren oder das Gerät auf eine weiche Oberfläche stellen, wie zum Beispiel ein Bett oder ein Sofa, wo die Luftöffnungen blockiert werden können. Die Öffnungen frei von Fusseln, Haaren und Ähnlichem halten.

Zwischen Sauerstoffkonzentrator und Wänden, Vorhängen oder Möbeln muss ein Abstand von mindestens 30,5 cm eingehalten werden.

Einen Raum auswählen, der sich am besten für die Verwendung des Sauerstoffkonzentrators eignet. Der Konzentrator kann auf seinen Rollen problemlos von Zimmer zu Zimmer gerollt werden.

Ihr Sauerstoffkonzentrator arbeitet am besten, wenn er unter den Bedingungen betrieben wird, wie sie in TECHNISCHE DATEN auf Seite 111 beschrieben sind. Andernfalls kann eine erhöhte Wartung des Geräts erforderlich sein. Der Lufteintritt des Geräts sollte sich in einem gut belüfteten Bereich von Luftverschmutzung und/oder Dämpfen entfernt befinden.

Inbetriebnahme

1. Das Netzkabel in eine Steckdose stecken.
2. Befeuchter anschließen (sofern verschrieben)

⚠ WARNUNG

Befeuchter NICHT überfüllen.

NICHT die Sauerstoffeinlass- und Sauerstoffauslassverbindungen vertauschen. Das Wasser aus der Befeuchterflasche wird durch die Kanüle zurück zum Patienten strömen.

HINWEIS: Nähere Angaben zu diesem Verfahren finden Sie in ABBILDUNG 6.1, ABBILDUNG 6.2 auf Seite 117 und ABBILDUNG 6.3 auf Seite 118.

1. Deckel von der Flasche abnehmen.
2. Den Befeuchter mit destilliertem Wasser bis zu der vom Hersteller angegebenen Marke befüllen. Den Befeuchterdeckel wieder aufsetzen und fest zuschrauben.



ABBILDUNG 6.1 Auffüllen des Befeuchters

3. Einen Schraubendreher in den Öffnungsschlitz am oberen Rand der Filterzugangstür stecken und die Filterzugangstür behutsam aufhebeln (ABBILDUNG 6.2).
4. Befeuchter-Adapterschlauch nach oben ziehen und entnehmen (ABBILDUNG 6.2).
5. Die Filterzugangstür wieder einsetzen und die Lufthaube durch Einsetzen der sechs Zapfen auf der Lufthaube in die sechs Buchsen an den Seiten der Filterzugangstür einbauen.

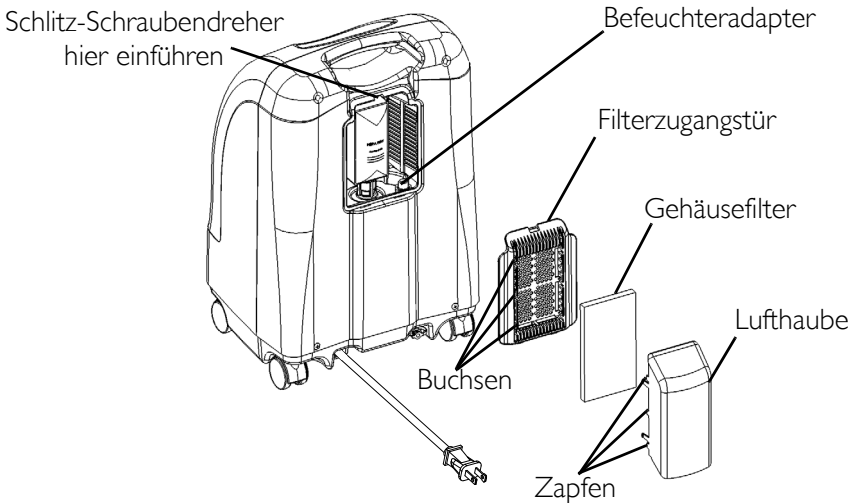


ABBILDUNG 6.2 Befeuchteradapter

6. Befeuchteradapter durch drehen der Flügelmutter an der Befeuchterflasche im Uhrzeigersinn an die Befeuchterflasche anbringen, bis dieser fest sitzt. Siehe Detail "A" von ABBILDUNG 6.3.
7. Befeuchterflasche/-adaptereinheit ins Befeuchterfach im Konzentrator einsetzen. Siehe Detail "B" von ABBILDUNG 6.3.
8. Sauerstoffschläuche der Befeuchterflasche/-adaptereinheit an den Sauerstoffauslassverbinder am Konzentrator anschließen. Siehe Detail "B" von ABBILDUNG 6.3.
9. Kanüle/Patientenversorgungsschlauch am Auslass der Befeuchterflasche anbringen. Siehe Detail "B" von ABBILDUNG 6.3.
10. Nach der Montage sicherstellen, dass Sauerstoff durch die Kanüle fließt.

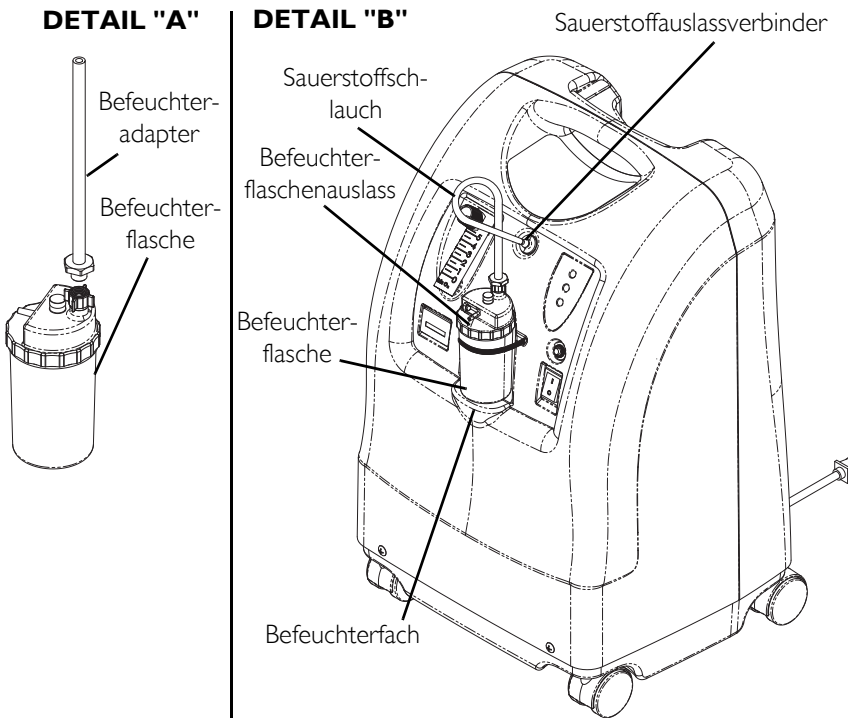


ABBILDUNG 6.3 Befeuchterfach

Netzschalter

HINWEIS: Für dieses Verfahren, siehe ABBILDUNG 6.4.

1. Den Netzschalter auf die Position EIN stellen. Alle Leuchten am Bedienfeld und der akustische Alarm reagieren eine Sekunde lang, was anzeigt, dass das Gerät ordnungsgemäß funktioniert.

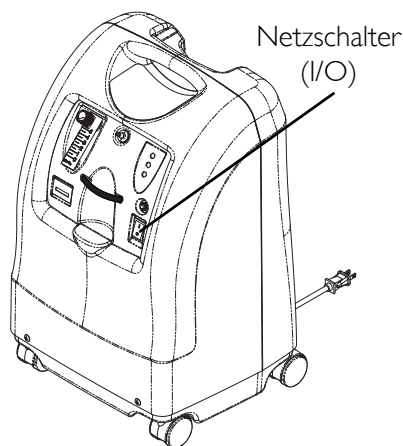


ABBILDUNG 6.4
Netzschalter

Flussrate

HINWEIS: Für dieses Verfahren, siehe ABBILDUNG 6.5.

HINWEIS: Darauf achten, dass die Anzeige des Flussmessers niemals über dem ROTEN Ring steht. Ein Sauerstofffluss über 5 l/min führt zu verminderter Sauerstoffkonzentration.

1. Den Knopf für die Flussrate bis zu der vom Arzt oder Therapeuten verschriebenen Einstellung drehen.

⚠️ WARNUNG

Die Einstellung „l/min“ auf dem Flussmesser NUR DANN ändern, wenn vom Arzt oder Therapeuten eine Veränderung verordnet wurde.

HINWEIS: Zunächst die Linie der vorgeschriebenen Flussrate auf dem Flussmesser ermitteln. Danach den Knopf für die Flussrate drehen, bis sich die Kugel auf Höhe der entsprechenden Linie befindet. Die Kugel nun auf der verschriebenen Linie (l/min) zentrieren.

HINWEIS: Der bei einer potenziellen Obstruktion ausgegebene Alarm weist auf eine Bedingung hin, die mit einer vollständigen oder teilweisen Obstruktion des ausgegebenen Sauerstoffs in Verbindung gebracht werden kann.

2. Wenn die vom Flussmesser gemessene Flussrate für mehr als eine Minute unter 0,5 l/min fällt, wird der Alarm bei potenzieller Obstruktion ausgelöst. Dabei erklingt der akustische Alarm in schneller Folge. Leitungen und Zubehör auf blockierte oder geknickte Schläuche oder eine defekte Befeuchterflasche prüfen. Nachdem der Nennfluss wieder auf einen Wert zwischen 0,5 l/min und 0,75 l/min gebracht wurde, schaltet sich der Alarm bei potenzieller Obstruktion aus.

HINWEIS: Bei Verwendung von bestimmtem Zubehör, beispielsweise dem pädiatrischen Flussmesser PreciseRx™ und dem HomeFill-Kompressor, wird der Alarm bei potenzieller Obstruktion deaktiviert.

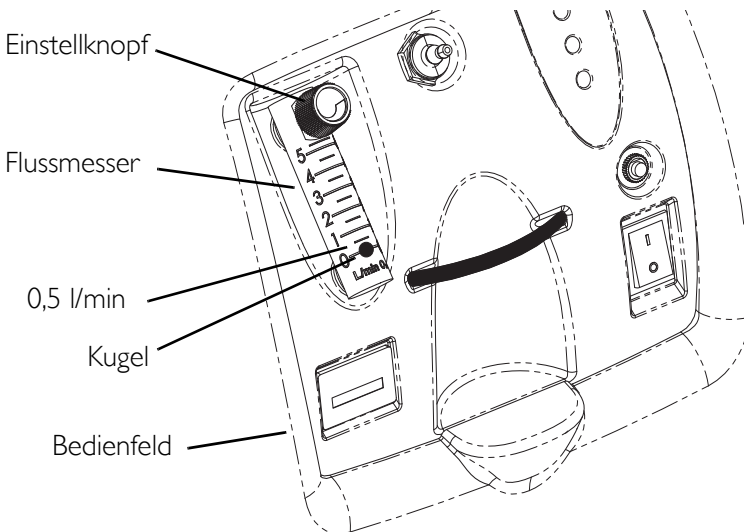


ABBILDUNG 6.5 Flussrate

Anzeige Sauerstoffreinheit SensO₂ - Modell IRC5PO2AW

Mit dieser Funktion wird die Reinheit des durch den Sauerstoffkonzentrator erzeugten Sauerstoffs überwacht. Wenn die Reinheit unter die vom Hersteller eingestellten Werte fällt, leuchten die Anzeigen auf dem Bedienfeld entsprechend auf.

Inbetriebnahme des Konzentrators

HINWEIS: Der Konzentrator kann in der Anlaufzeit (ungefähr 30 min.) benutzt werden, während die O₂-Reinheit ihren Maximalwert erreicht.

Wenn das Gerät eingeschaltet wird, leuchtet die GRÜNE Anzeige (SYSTEM IN ORDNUNG/O₂ höher als 85 %) auf. Nach 5 Minuten arbeitet der Sauerstoffsensor normal und steuert die Anzeigeleuchten in Abhängigkeit von den Sauerstoffkonzentrationswerten.

Beschreibung Anzeigeleuchten Sauerstoffreinheit - Modell IRC5PO2AW

HINWEIS: Für dieses Verfahren, siehe ABBILDUNG 6.6 auf Seite 122.

GRÜNE Leuchte (O₂) – Normalbetrieb.

GELBE Leuchte (⚠) – Unverzüglich Händler kontaktieren. Der Konzentrator kann weiterhin benutzt werden, sofern der Händler keine anderen Anweisungen erteilt. Dafür sorgen, dass die Sauerstoffreserve griffbereit ist.

ROTE Leuchte (⚡) – Komplette Abschaltung des Geräts. Unverzüglich auf Reserve-Sauerstoffversorgung schalten und Händler kontaktieren.

GRÜNE Leuchte – mit blinkender GELBER Anzeige - Unverzüglich Händler kontaktieren. Funktionsstörung des Sauerstoffsensors. Der Konzentrator kann weiterhin benutzt werden.

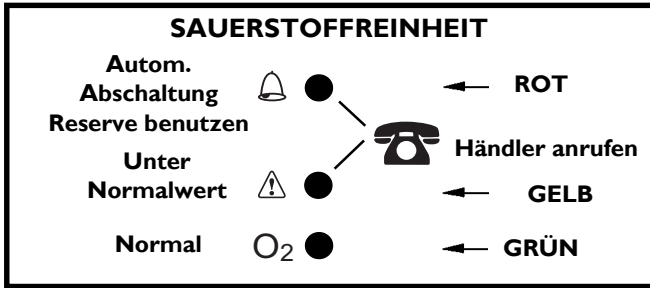


ABBILDUNG 6.6 Beschreibung Anzeigelampen Sauerstoffreinheit - Modell IRC5PO2AW

Beschreibung Anzeigelampen - Modell IRC5PAW

HINWEIS: Für dieses Verfahren, siehe ABBILDUNG 6.7.

Modell IRC5PAW - Beschreibung Anzeigelampen

ROTE Leuchte (⚠) – Komplette Abschaltung des Geräts. Unverzüglich auf Reserve-Sauerstoffversorgung schalten und Händler kontaktieren.

GRÜNE Leuchte (I/O) – Ein/Aus. System in Ordnung.

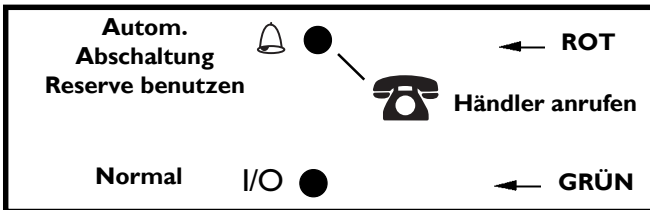


ABBILDUNG 6.7 Beschreibung Anzeigelampen - Modell IRC5PAW

Betriebsstundenzähler

Der Betriebsstundenzähler zeigt die kumulierte Zeit an, die das Gerät in Betrieb war.

ABSCHNITT 7—WARTUNG

⚠ WARNUNG

Invacare Konzentratoren sind besonders dafür entwickelt worden, um Routine-Präventivwartungen nur einmal im Jahr durchzuführen. Nur qualifiziertes Personal sollte am Konzentrator vorbeugende Wartung durchführen.

Konzentrator-Netzkabel vor der Reinigung aus der Steckdose ausstecken. Um einen Stromschlag zu vermeiden, das Gehäuse NICHT entfernen.

HINWEIS: Die vorbeugende Wartung MUSS mindestens den Wartungsrichtlinien entsprechend durchgeführt werden. In einer Umgebung mit viel Staub und Ruß können Wartungsarbeiten u. U. öfter erforderlich sein. Siehe Aufzeichnungen über vorbeugene Wartung auf Seite 126.

Routine-Wartung

Reinigung der Gehäusefilter

VORSICHT

Den Konzentrator NICHT ohne eingesetzte Filter betreiben.

HINWEIS: Für dieses Verfahren, siehe ABBILDUNG 7.1 on page 125.

HINWEIS: Auf der Rückseite des Gehäuses befindet sich ein Gehäuse-Filter.

1. Ersetzen Sie den Filter oder reinigen Sie ihn nach Bedarf.

HINWEIS: Es gibt Umgebungsbedingungen, die eine häufigere Reinigung nötig machen, dazu gehören viel Staub, verschmutzte Luft etc. Diese Auflistung ist nicht abschließend.

2. Den Filter vor dem Wiedereinbau restlos trocknen.

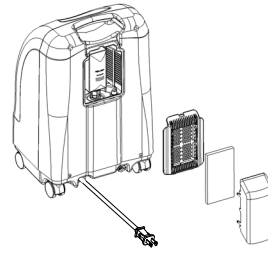
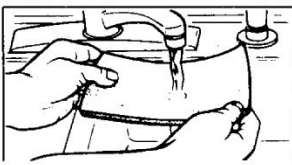


ABBILDUNG 7.1 Reinigung der Gehäusefilter

Reinigung des Gehäuses

1. Das Gehäuse mit einem milden Haushaltsreiniger und einem abriebfreien Tuch oder Schwamm reinigen.

Reinigung des Befeuchters

HINWEIS: Zur Reinigung des Befeuchters die vom Verordner zur Verfügung gestellten Anweisungen befolgen. Falls keine Anweisungen vorliegen, die nachstehenden SCHRITTE durchführen:

1. Den Befeuchter jeden Tag reinigen.
2. Den Befeuchter mit Seifenwasser waschen und mit einer Lösung aus 10 Teilen Wasser und 1 Teil Essig ausspülen.
3. Gründlich mit heißem Wasser ausspülen und wieder mit destilliertem Wasser bis zu der am Befeuchter angegebenen Marke befüllen.

ABSCHNITT 8—ANLEITUNG ZUR FEHLERSUCHE

SYMPTOM:	MÖGLICHE URSACHE:	LÖSUNG:
Alarm:	Netzausfall:	
Kurze Pieptöne, lange Pause	1. Netzkabel nicht in Steckdose eingesteckt.	1. Netzkabelstecker in die Steckdose stecken.
Konzentrator funktioniert nicht, Netzschalter ein.	2. Kein Strom an der Steckdose.	2. Die Sicherungen im Haus prüfen. Wenn das Problem erneut auftritt, eine andere Steckdose verwenden.
Piep.....Piep.....	3. Stromunterbrecher ausgelöst.	3. Stromunterbrecher drücken/zurückstellen. Wenn das Problem erneut auftritt, Kundendienst anrufen.
Alarm: Dauerton Konzentrator funktioniert nicht, Netzschalter ein. Piiiiiiiiiiiiiep....	Systemversagen: 1. Überhitzung des Geräts wegen blockierten Lufteinlasses. 2. Ungenügende Spannung an der Steckdose. 3. Interne Reparaturen erforderlich.	1 a. Die Gehäusefilter herausnehmen und reinigen. 1 b. Zwischen Sauerstoffkonzentrator und Wänden, Vorhängen oder Möbeln muss ein Abstand von mindestens 30,5 cm eingehalten werden. 2. KEINE Verlängerungskabel verwenden. Andere Steckdose oder anderen Stromkreis verwenden. 3. Den Kundendienst anrufen.

SYMPTOM:	MÖGLICHE URSACHE:	LÖSUNG:
<p>GELBE oder ROTE Anzeige leuchtet</p> <p>Alarm: Dauerton Nur ROTE Leuchte an.</p> <p>* Gilt nur für Modell IRC5PO2AW.</p>	1. Geringe Sauerstoffreinheit.*	1. Die Filter reinigen oder auswechseln.
	2. Knick bzw. Blockierung in Schlauch, Kanüle oder Befeuchter.*	2. Auf Knicke oder Blockierungen untersuchen. Das entsprechende Teil korrigieren, reinigen oder ersetzen. Nach erfolgter Korrektur das Gerät 60 Sekunden lang ausschalten und dann wieder einschalten.
	3. Flussmesser auf 0,5 l/min eingestellt *.	3. Bestätigen, dass der Flussmesser auf mindestens 1,0 l/min eingestellt ist. Siehe <u>TECHNISCHE DATEN</u> auf Seite 111.
	4. Überhitzung des Geräts wegen blockierten Lufteinlasses.	4a. Die Gehäusefilter herausnehmen und reinigen. 4b. Zwischen Sauerstoffkonzentrator und Wänden, Vorhängen oder Möbeln muss ein Abstand von mindestens 30,5 cm eingehalten werden.
	5. Ungenügende Spannung an der Steckdose.	5. KEINE Verlängerungskabel verwenden. Andere Steckdose oder anderen Stromkreis verwenden.
	6. Interne Reparaturen erforderlich.	6. Den Kundendienst anrufen.
GRÜNE Leuchte - mit blinkender GELBER Anzeige.	1. Interne Reparaturen erforderlich.	1. Den Kundendienst anrufen.

SYMPTOM:	MÖGLICHE URSACHE:	LÖSUNG:
<p>Alarm: Schnell</p> <p>Piep.....Piep..... Piep.....Piep</p>	<p>Alarm wegen möglicher Behinderungen</p> <p>Ia. Mögliche interne Obstruktion im Sauerstoffpfad.</p> <p>Ib. Knick bzw. Blockierung in Schlauch, Kanüle oder Befeuchter.</p> <p>Ic. Flussmesser auf 0,5 l/min eingestellt.</p>	<p>Ia. Auf Knicke oder Blockierungen untersuchen. Das entsprechende Teil korrigieren, reinigen oder ersetzen. Nach erfolgter Korrektur das Gerät 60 Sekunden lang ausschalten und dann wieder EINSCHALTEN.</p> <p>Ib. Flussraten unter 1 l/min sind nicht empfehlenswert.</p> <p><i>HINWEIS: Bei Verwendung des pädiatrischen Flussmessers wird der Alarm bei potenzieller Obstruktion deaktiviert.</i></p>

ABSCHNITT 9—ALS OPTION ERHÄLTliches ZUBEHÖR

Folgendes optionelles Zubehör ist außerdem erhältlich:

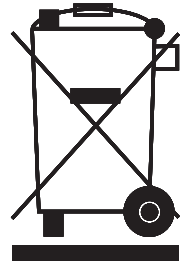
- Standard Erwachsenen-Nasenkanüle, 2,1 m (7 Fuß) - M3120
- Standard Befeuchter - M5120
- PreciseRX™ Kinder-Befeuchter/Durchflussregler Zubehör - IRCPF16AW
- HomeFill Heim-Sauerstoffkompressor - IOH200AW

RECYCLINGHINWEISE

Dieses Produkt ist von einem umweltbewussten Hersteller geliefert worden, der gemäß der Verordnung 2002/96/CE zur Entsorgung von Elektro- bzw. Elektronikschrott (WEEE) arbeitet.

Dieses Produkt kann Stoffe enthalten, die sich für die Umwelt als schädlich erweisen könnten, falls sie an Orten (Mülldeponien) entsorgt werden, die nach der Gesetzgebung dafür nicht geeignet sind.

Das Symbol der „durchgestrichenen Mülltonne“ befindet sich auf diesem Produkt, um den Benutzer an die Verpflichtung zum Recycling zu erinnern.

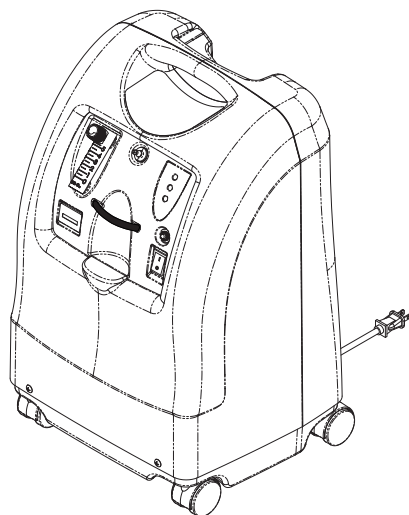


Bitte umweltbewusst handeln und dieses Produkt am Ende seiner Nutzungsdauer einer Recyclingeinrichtung zuführen.

Instrukcja obsługi

Serie Perfecto₂TM

*Koncentratory tlenowe bez SensO₂[®],
Koncentratory tlenowe wyposażone w SensO₂[®]
Zgodne z produktem HomeFill[®]*



**Model IRC5PO2AW
Model IRC5PO2VAW**

Model IRC5PAW

Sprzedawca: Niniejszy podręcznik MUSI BYĆ przekazany użytkownikowi końcowemu.

Użytkownik: PRZED rozpoczęciem korzystania z niniejszego produktu należy zapoznać się z informacjami znajdującymi się w niniejszym podręczniku, a podręcznik należy zachować, aby móc korzystać z niego w przyszłości.



Yes, you can.®

⚠ OSTRZEŻENIE

NIE WOLNO stosować niniejszego produktu, ani żadnego z urządzeń dodatkowych, przed zapoznaniem się z niniejszymi instrukcjami oraz ze wszystkimi innymi wskazówkami, takimi jak te, które znajdują się w podręczniku użytkownika, podręczniku napraw lub na ulotkach informacyjnych dostarczonych z niniejszym produktem lub z wyposażeniem dodatkowym. W przypadku niemożności zrozumienia ostrzeżeń, ostrzeżeń lub instrukcji przed próbą użycia niniejszego sprzętu należy porozumieć się z lekarzem, sprzedawcą lub pracownikiem działu technicznego – w przeciwnym razie może dojść do obrażeń ciała użytkownika.

⚠ OSTRZEŻENIA DOTYCZĄCE WYPOSAŻENIA DODATKOWEGO

Produkty firmy Invacare zostały specjalnie zaprojektowane i wyprodukowane w celu stosowania ich z wyposażeniem dodatkowym firmy Invacare. Wyposażenie dodatkowe innych producentów nie zostało sprawdzone przez firmę Invacare i nie zaleca się jego stosowania z produktami firmy Invacare.

WYPOSAŻENIE DODATKOWE

Z urządzeniem tym można stosować różne typy nawilżaczy, przewodów tlenowych, kaniul i masek. W celu uzyskania informacji, które z tych urządzeń są zalecane dla danego użytkownika, należy skontaktować się z miejscowym pracownikiem opieki zdrowotnej. Przekaze on również instrukcje dotyczące ich prawidłowego użytkowania, konserwacji i czyszczenia.



Akcesoria (kaniula donosowa, maska, przewody, nawilżacz itp.) używane do dostarczania tlenu pacjentowi muszą być wyposażone w elementy ograniczające rozprzestrzenianie się ognia w akcesoriach w celu zapewnienia bezpieczeństwa pacjenta i innych osób. Jeśli w połączeniu z akcesoriami stosowane jest dostępne na rynku urządzenie zatrzymujące przepływ aktywowane w przypadku wystąpienia ognia, powinno ono znajdować się możliwie jak najbliżej pacjenta.

SPIS TREŚCI

WYPOSAŻENIE DODATKOWE	133
UWAGI SPECJALNE	135
LOKALIZACJA ETYKIETY	137
CZĘŚĆ 1—OGÓLNE WSKAZÓWKI	138
Zakłócenia częstotliwości radiowych	140
CZĘŚĆ 2—FUNKCJE	142
CZĘŚĆ 3—EKSPLOATACJA	143
Rozpakowywanie	143
Kontrola	143
Przechowywanie	143
CZĘŚĆ 4—OPIS TECHNICZNY	144
Przeznaczenie	144
Opis techniczny	144
CZĘŚĆ 5—TYPOWE PARAMETRY PRODUKTU	145
CZĘŚĆ 6—INSTRUKCJE OBSŁUGI	149
Wstęp	149
Wybierz miejsc	149
Ustawienia	150
Szybkość przepływu	153
Wskaźnik czystości tlenu SensO ₂ - Model IRC5PO2AW	155
Początkowe uruchomienie koncentratora	155
Wyjaśnienie komunikatów diod znacznikowych - Model IRC5PAW	156
Licznik upływu czasu (licznik godzin)	156
CZĘŚĆ 7—KONSERWACJA	157
Konserwacja rutynowa	157
CZĘŚĆ 8—ROZWIĄZYWANIE PROBLEMÓW ...	160
CZĘŚĆ 9—OPCJONALNE ELEMENTY WYPOSAŻENIA DODATKOWEGO	163
INFORMACJE DOTYCZĄCE UTYLIZACJI	164
INFORMACJE DOTYCZĄCE OBSŁUGI KLIENTA I GWARANCJI	198

UWAGI SPECJALNE

W niniejszym podręczniku użyto pewnych określeń ostrzegawczych, odnoszących się do zagrożeń lub czynności niebezpiecznych, które mogą doprowadzić do obrażeń ciała użytkownika lub do uszkodzenia mienia. W poniższej tabeli zamieszczono definicje określeń ostrzegawczych.

OKREŚLENIE OSTRZE- GAWCZE	ZNACZENIE
 NIEBEZPIECZE ŃSTWO	„Niebezpieczeństwo” oznacza zagrożenie, które – o ile nie uda się go uniknąć – doprowadzi do śmierci lub poważnych obrażeń ciała.
 OSTRZEŻENIE	„Ostrzeżenie” oznacza sytuację potencjalnie niebezpieczną, która – o ile nie uda się jej uniknąć – może doprowadzić do śmierci lub poważnych obrażeń ciała.
UWAGA	„Przestroga” wskazuje potencjalnie niebezpieczną sytuację, która – o ile nie uda się jej uniknąć – może spowodować uszkodzenie mienia i/lub niewielki uraz.

POWIADOMIENIE

Informacje zawarte w niniejszym dokumencie mogą ulec zmianie bez powiadomienia.

NIEBEZPIECZEŃSTWO

Podczas użytkowania niniejszego urządzenia **NIE WOLNO PALIĆ TYTONIU**. W pomieszczeniu, w którym znajduje się produkt, nie wolno trzymać zapalek, zapalonych papierosów lub innych źródeł zapłonu.

⚠ NIEBEZPIECZEŃSTWO

Znaki ZAKAZU PALENIA powinny zostać umieszczone w widocznych miejscach. W powietrzu wzbogaconym tlenem tekstylia i inne materiały, które w zwykłych warunkach nie palą się, mogą łatwo ulec zapaleniu i płonąć z dużą intensywnością. Niezastosowanie się do niniejszego ostrzeżenia może spowodować

duży pożar, uszkodzenie mienia oraz obrażenia ciała lub śmierć użytkowników.

UWAGA

“Uwaga: Aktualne przepisy ograniczają sprzedaż niniejszego urządzenia wyłącznie przez lub na zamówienie lekarza lub innego pracownika agencji rządowej uprawnionego przez nią do stosowania lub zlecenia zastosowania niniejszego urządzenia”.

Firma Invacare zaleca zaopatrzenie się w alternatywne, dodatkowe źródło tlenu na wypadek przerwy w zasilaniu, wystąpienia sytuacji alarmowej lub uszkodzenia mechanicznego. W celu uzyskania informacji na temat rodzaju wymaganego systemu rezerwowego, proszę skonsultować się z lekarzem lub dostawcą wyposażenia.

Urządzenie służy do uzupełniania tlenu, a nie do podtrzymywania lub ratowania życia.

LOKALIZACJA ETYKIETY

Perfecto₂[™]

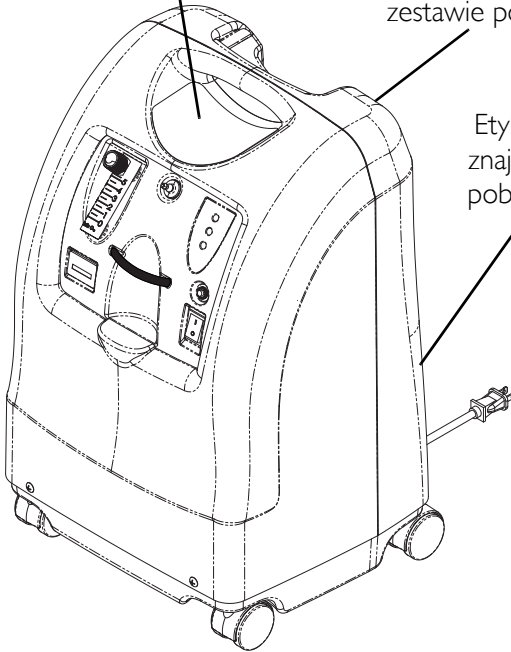
INSTRUKCJE OBSŁUGI lub ALARMY (Patrz instrukcja obsługi)

- ⚠ UWAGA – NIEBEZPIECZEŃSTWO ZAPŁONU
ZAKAZ PALENIA – Nie wolno dopuścić, aby w pomieszczeniu, w którym znajduje się urządzenie, lub w okolicy miejsc zaopatrzenia urządzenia w tlen, znajdowały się JAKIEKOLWIEK źródła zapłonu. Wyroby włókiennicze, olej lub inne łatwopalne materiały bardzo łatwo ulegają silnemu zapłonowi w atmosferze wzbogaconej tlenem.
- ⚠ NIEBEZPIECZEŃSTWO – RYZYKO PORAŻENIA PRADEM
NIE WOLNO zdejmować pokrywy. W przypadku konieczności serwisowania należy przekazać je wykwalifikowanemu pracownikowi serwisu.
- ⚠ Szybkości przepływu poniżej 0,5 l/min spowodują uruchomienie alertu o możliwym zablokowaniu (powtarzający się sygnał dźwiękowy).
- ⚠ Podczas napełniania butli HomeFill® ustaw przepływomierz na wartość 2,5 l/min lub niższą.
HomeFill®
Zgodny



Etykieta z numerem seryjnym znajduje się zestawie poboru rezonatora

Etykieta specyfikacji znajduje się z tyłu, w pobliżu części dolnej



CZĘŚĆ I—OGÓLNE WSKAZÓWKI

W celu zapewnienia bezpiecznej instalacji, montażu i obsługi koncentratora Perfecto₂, NALEŻY postępować zgodnie z niniejszymi wskazówkami.

⚠ OSTRZEŻENIE

W niniejszej części zawarto informacje istotne dla bezpiecznej obsługi i eksploatacji niniejszego produktu.

⚠ NIEBEZPIECZEŃSTWO

Ryzyko porażenia prądem elektrycznym. **NIE WOLNO** rozkładać urządzenia na części. W przypadku konieczności serwisowania należy przekazać je wykwalifikowanemu pracownikowi serwisu. Urządzenie nie zawiera elementów, które wymagają konserwacji przez użytkownika.

**W CELU ZMNIEJSZENIA RYZYKA OPARZEŃ,
ŚMIERTELNEGO PORAŻENIA PRĄDEM
ELEKTRYCZNYM, POŻARU LUB OBRAŻEŃ CIAŁA.**

Urządzenia nie wolno używać podczas kąpieli. Jeśli lekarz zaleci ciągłe stosowanie urządzenia, koncentrator **MUSI** znajdować się w innym pomieszczeniu, w odległości co najmniej 2,5 m (7 stóp) od łazienki.

NIE WOLNO dotykać koncentratora, dopóki jest on wilgotny.

Produktu **NIE WOLNO** umieszczać ani przechowywać w miejscach, gdzie może wpaść do wody lub innej cieczy.

NIE WOLNO dotykać produktu, który wpadł do wody. Urządzenie należy **NATYCHMIAST** odłączyć od sieci zasilającej.

⚠ NIEBEZPIECZEŃSTWO

Jeśli koncentrator ma uszkodzony przewód lub wtyczkę, nie działa poprawnie, został upuszczony lub uszkodzony albo wpadł do wody, należy wezwać wykwalifikowanego pracownika serwisu w celu sprawdzenia i naprawy urządzenia.

Może nastąpić spontaniczny i gwałtowny zapłon, jeśli olej, smar lub substancje smarne zetkną się z tlenem pod ciśnieniem. Substancje te **MUSZĄ** być przechowywane z dala od koncentratora tlenu, przewodów i złączy oraz wszystkich innych urządzeń tlenowych. **NIE WOLNO** używać żadnych środków nawilżających, jeśli nie zostaną one wyraźnie zalecone przez firmę Invacare.

Informacje dotyczące obsługi

W celu uzyskania optymalnej wydajności firma Invacare zaleca, aby koncentrator był za każdym razem uruchamiany na co najmniej 30 minut. Krótsze czasy mogą skrócić maksymalny okres użytkowania produktu.

Nie należy zakrywać przewodów z tlenem, kabli oraz jednostki centralnej kocami, narzutami, poduszkami lub ubraniami i należy trzymać je z dala od ciepłych lub gorących powierzchni, takich jak kaloryfery, piecyki lub podobne urządzenia elektryczne.

NIE WOLNO przesuwania ani przemieszczania koncentratora poprzez pociąganie za przewód zasilający

W ŻADNYM WYPADKU nie wolno wlewać lub wrzucać żadnych płynów lub przedmiotów do otworów urządzenia.

Firma Invacare zaleca stosowanie z niniejszym produktem przewodów z tlenem Crush-Proof, których długość nie przekracza 15,2 m (50 stóp).

Urządzenie nie posiada części, które mogą być wymienione przez użytkownika. Nie obejmuje to czynności związanych z normalną konserwacją. W celu uzyskania wiadomości na temat czynności konserwacyjnych wykonywanych przez użytkownika, proszę zapoznać się z informacjami zamieszczonymi w rozdziale dotyczącym konserwacji.

NIE WOLNO pozostawiać włączonego produktu bez nadzoru. Proszę upewnić się, że urządzenie Perfecto₂ jest wyłączone, gdy nie jest w użyciu.

Jeżeli produkt jest używany w pobliżu dzieci lub osób niepełnosprawnych fizycznie, należy zapewnić ścisły nadzór.

W przypadku, gdy urządzenie wykorzystywane jest przez pacjentów, którzy mogą nie słyszeć lub nie widzieć sygnałów alarmowych albo są niezdolni do zgłoszenia uczucia dyskomfortu konieczne może być zastosowanie dodatkowych środków nadzoru lub zwrócenie szczególnej uwagi.

Koncentratora NIE WOLNO podłączać równolegle ani szeregowo z innymi koncentratorami tlenu bądź urządzeniami do terapii tlenowej.

Zakłócenia częstotliwości radiowych

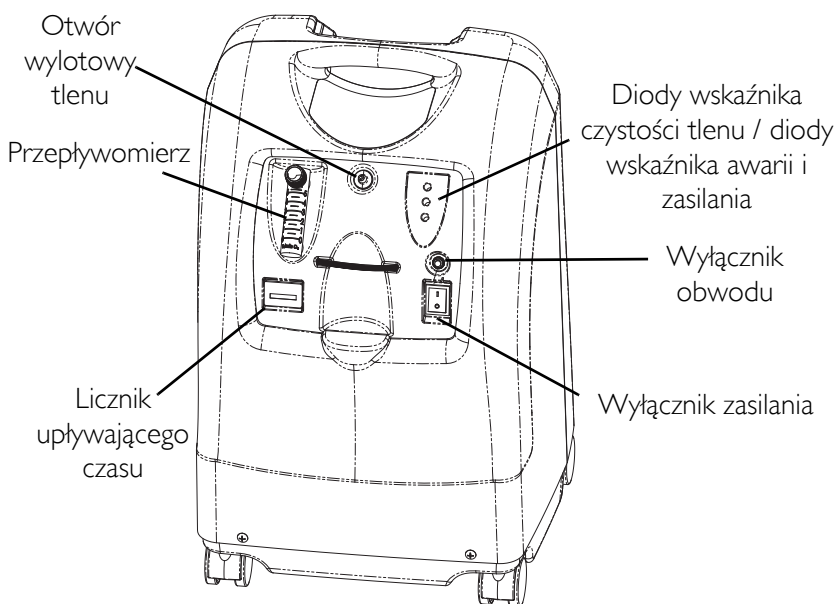
Urządzenie zostało przebadane i spełnia wymagania określone przez EMC, wyszczególnione w normie IEC/EN 60601-1-2. Ograniczenia te opracowane zostały w celu zapewnienia odpowiedniej ochrony przez interferencją elektromagnetyczną z typowymi instalacjami medycznymi.

Możliwe jest wystąpienie zakłóceń innych urządzeń, nawet przy niższych poziomach emisji elektromagnetycznych niż te, które dopuszczone są przez podane powyżej standardy. W celu sprawdzenia, czy urządzenie Perfecto₂ jest przyczyną interferencji, należy wyłączyć urządzenie Perfecto₂. Jeśli zakłócenia urządzenia (urządzeń) ustaną, oznacza to, że ich przyczyną jest Perfecto₂. W takich rzadkich przypadkach interferencje można zmniejszyć lub skorygować w następujący sposób:

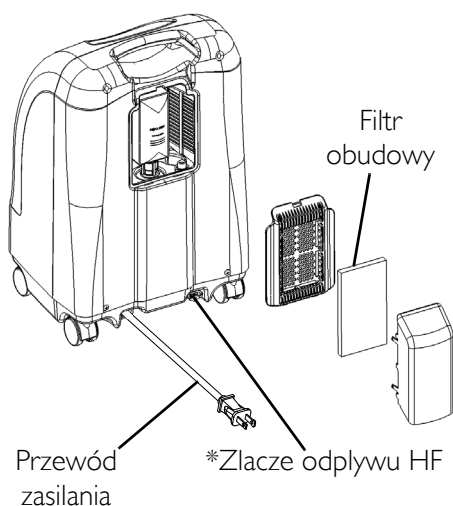
- Przemieszczając, przesuując lub zwiększając odległość pomiędzy urządzeniami.
- Podłącz urządzenie do gniazdka innego obwodu niż ten, do którego podłączone są pozostałe urządzenia (urządzenie).

Należy unikać sytuacji powodującej powstawanie iskier w pobliżu tlenowych urządzeń medycznych. Dotyczy to iskier spowodowanych przez elektryczność statyczną, powstającą przy każdym rodzaju tarcia.

CZĘŚĆ 2—FUNKCJE



WIDOK Z TYŁU



**UWAGA: To gniazdo wylotowe służy wyłącznie do napełniania butli z tlenem za pomocą domowego kompresora tlenu HomeFill. Nie ma ono wpływu na wydajność koncentratora. Informacje na temat połączeń i obsługi można znaleźć w podręczniku użytkownika urządzenia HomeFill, numer części 1145804. Nieużywane gniazdo wylotowe należy zatkać korkiem dostarczonym z koncentrator. W celu uzyskania dodatkowych informacji na temat urządzenia HomeFill, proszę skontaktować się ze sprzedawcą produktów firmy Invacare.*

CZĘŚĆ 3—EKSPLOATACJA

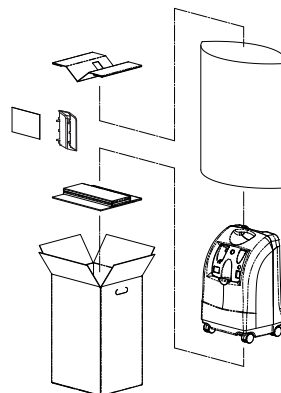
Koncentrator powinien **ZAWSZE** znajdować się w pozycji pionowej, aby zapobiec uszkodzeniu obudowy podczas transportu.

Na wypadek ponownej wysyłki zwykłymi środkami komunikacji, w firmie Invacare dostępne są dodatkowe opakowania kartonowe.

Rozpakowywanie

UWAGA: Informacje dotyczące tej procedury przedstawiono na RYSUNEK 3.1.

1. Sprawdź, czy karton lub jego zawartość nie są uszkodzone. W przypadku ewidentnych uszkodzeń należy powiadomić przewoźnika lub lokalnego przedstawiciela handlowego.
2. Wyjmij z kartonu wszystkie luźne części.
3. Ostrożnie wyjmij z kartonu wszystkie elementy urządzenia.



RYSUNEK 3.1
Rozpakowywanie

UWAGA: O ile koncentrator tlenowy nie musi być NATYCHMIAST stosowany, należy pozostawić koncentrator w oryginalnych opakowaniu, do czasu wykorzystania go.

Kontrola

1. Sprawdź/skontroluj powierzchnię zewnętrzną koncentratora, upewniając się, że nie ma wyszczerbień, wgnieceń, zadrapań lub innych uszkodzeń. Sprawdź wszystkie elementy.

Przechowywanie

1. Rozpakowany koncentrator tlenu należy przechowywać w suchym miejscu.
2. Na ponownie zapakowanym koncentratorze **NIE WOLNO** umieszczać innych przedmiotów.

CZEŚĆ 4—OPIS TECHNICZNY

Przeznaczenie

Koncentrator tlenu jest przeznaczony do indywidualnego użytkowania przez pacjentów z zaburzeniami układu oddechowego, którzy wymagają podawania dodatkowego tlenu. Urządzenie to nie jest przeznaczone do podtrzymywania lub przedłużania życia.

Opis techniczny









Stężenie tlenu w mieszaninie wyjściowej wynosi od 87% do 95,6%. Tlen dostarczany jest do organizmu pacjenta za pomocą kaniuli donosowej.

Koncentrator Perfecto₂ firmy Invacare wykorzystuje technologię sita molekularnego oraz obrotowej adsorpcji ciśnieniowej do produkcji tlenu. Powietrze dostaje się do urządzenia, zostaje przefiltrowane a następnie sprężone. Sprężone powietrze jest następnie kierowane na jedno z dwóch sit pochłaniających azot. Zagęszczony tlen wydostaje się z przeciwnej strony aktywnego sita i kierowany jest do zbiornika tlenu, z którego może być dostarczony dla pacjenta.

Koncentrator Perfecto₂ firmy Invacare może być obsługiwany przez pacjenta w warunkach domowych oraz szpitalnych. Urządzenie zasilane jest prądem zmiennym o nominalnej wartości 230 V/50 Hz.

Informacje na temat serwisowania dostępne są na żądanie, jedynie dla wykwalifikowanych pracowników technicznych.

CZĘŚĆ 5—TYPOWE PARAMETRY PRODUKTU

	Prąd zmienny
	Urządzenie typu BF
	Urządzenie pracuje
	Urządzenie nie pracuje
	Uwaga – Należy zapoznać się z dostarczoną dokumentacją
	ZAKAZ palenia
	Klasa II, podwójna izolacja
IPX0	Nie chronione
	Ten produkt spełnia wymagania dyrektywy 93/42/EWG dotyczącej urządzeń medycznych. Data wprowadzenia tego produktu na rynek jest ustalona w deklaracji zgodności WE.
Wymagania elektryczne:	Prąd zmienny 230 VAC ± 10% (253 VAC/207 VAC), 50 Hz
Nominalny prąd wejściowy:	1,4 A
Poziomy dźwięku:	Średnio 39,5 dBA
Wysokość n.p.m.:	Do 1828 metrów powyżej poziomu morza bez pogorszenia poziomów koncentracji. Nie zaleca się używania na wysokości powyżej 1828 m
Poziomy wyjściowej koncentracji tlenu: <i>UWAGA: Podano poziomy koncentracji osiągnięte po okresie początkowego nagrzewania (około 30 minut).</i>	Wszystkie modele IRC5PO2AW / IRC5PAW od 87% do 95,6% przy ustawieniach 0,5 do 5 l/min



CZĘŚĆ 5—TYPOWE PARAMETRY PRODUKTU

Maksymalne ciśnienie wylotowe:	34,5 kPa \pm 3,45 kPa (5 psi \pm 0,5 psi)
Zakres przepływu:	0,5 do 5 l/min (maksymalnie). W przypadku przepływów o wartości niższych niż 1 l/min, zalecamy użycie dodatkowych elementów przepływomierza dziecięcego firmy Invacare (IRCPF16AW).
Alert o możliwym zablokowaniu	0 l/min do 0,5 l/min Koncentrator wykrywa stan, który może oznaczać zablokowanie tlenu wyjściowego. Alert w postaci powtarzającego się sygnału dźwiękowego (wyłączenie alertu następuje po połączeniu akcesoriów). Może być związany z ustawieniem przepływu równym 0,5 l/min lub niższym.
Moc średnia pobór:	300 W 280 W przy wartości \leq 3 l/min
Mechanizm uwalniania ciśnienia działa przy:	241 kPa \pm 24,1 kPa (35 psi \pm 3,5 psi)
Zmiana maksymalnego zalecanego przepływu w przypadku zastosowania ciśnienia wstecznego 7 kPa:	0,7 L/min
Filtry:	Obudowy, wylotowy HEPA i wlotowy kompresora
System zabezpieczeń:	Wyłączenie w razie przeciążenia prądowego lub przepięcia. Wyłączenie w razie wysokiej temperatury kompresora. Alarm niskiego ciśnienia z wyłączeniem kompresora. Alarm braku zasilania. Alert o możliwym zablokowaniu w aparacie tlenowym SensO2.
Szerokość:	38,1 cm \pm 1 cm (15 \pm 3/8 cala)
Wysokość:	58,4 cm \pm 1 cm (23 \pm 3/8 cala)
Głębokość:	30,5 cm \pm 1 cm (12 \pm 3/8 cala)
Waga:	20,5 kg \pm 1 kg (45 lbs \pm 2 funty)
Waga przesyłki:	22,7 kg \pm 1 kg (50 lbs \pm 2 funty)
Temperatura otoczenia:	10°C – 35°C (50°F – 95°F) przy wilgotności względnej 20-60%
Temperatura chłodzonego powietrza wydechowego:	Poniżej temperatury otoczenia +19°C
Temperatura wytwarzanego tlenu:	Poniżej temperatury otoczenia +3°C


CZĘŚĆ 5—TYPOWE PARAMETRY PRODUKTU

Obudowa:	Obudowa wykonana z odpornego na czynniki mechaniczne i opóźniającego palenie plastiku, zgodnego z normą UL 94-V0..
Nr AP/PG	Nie przeznaczony do użycia w obecności palnych mieszanin gazów anestetycznych.
Lista standardów oraz przepisów:	IRC5PO2AW/IRC5PAW IEC/EN61000-3-2 IEC/EN61000-3-3, IEC/EN 60601-1, A1, A2 IEC/EN 60601-1-2 Wyłącznie modele IRC5PO2AW ISO8359 MDD 93/42/EEC, Załącznik I oraz IX
Model oznaczony znakiem CE	IRC5PO2AW
Elektryczne:	Nie stosować przedłużaczy.
Ustawienie:	Nie bliżej niż 30,5 cm od ściany, mebli lub zasłon, w celu zapewnienia odpowiedniego przepływu powietrza. Należy unikać puszystych dywanów, grzejników, kaloryferów lub źródeł gorącego powietrza. Wyłącznie na podłodze.
Przewody:	Kaniula o długości 2 m oraz przewód odporny na zgniatanie (typu Crush-Proof) o maksymalnej długości 15,2 m (NIE przygniatać przewodu).
Czas pracy:	Do 24 godzin dziennie.
Zalecana temperatura przechowywania i transportu:	Od -29°C do 65°C przy wilgotności względnej 15-95%.
Środowisko:	Bez dymu i sadzy. Nie używać na ograniczonych przestrzeniach (Np. w toalecie).
Minimalny czas pracy:	30 minut

IRC5PO2AW INDICATORS

SYMBOL ETYKIETY	CZYSTOŚĆ O ₂	LAMPKI KONTROLNE (DIODY LED)
O ₂	SYSTEM OKAY O ₂ powyżej 85% (± 2%)	ZIELONA lampka kontrolna
	O ₂ od 73% (± 3%) do 85% (±2%)	ŻÓŁTA lampka kontrolna A. Świeci stale na ŻÓŁTO B. Miga na ŻÓŁTO Awaria Skontaktuj się z wykwalifikowanym technikiem.
	SYSTEM FAILURE (Awaria systemu) O ₂ poniżej 73% (±3%)	CZERWONA lampka kontrolna Ciągły, dźwiękowy sygnał alarmowy – Sieve-GARD, wyłączenie kompresora

WSKAŹNIKI IRC5PAW

SYMBOL ETYKIETY	STAN	LAMPKI KONTROLNE (DIODY LED)
I/O	SYSTEM OKAY	ZIELONA lampka kontrolna
	SYSTEM FAILURE (Awaria systemu)	CZERWONA lampka kontrolna Ciągły, dźwiękowy sygnał alarmowy – kompresor Sieve-GARD™ wyłączenie Skontaktuj się z wykwalifikowanym technikiem.

CZĘŚĆ 6—INSTRUKCJE OBSŁUGI

Wstęp

Koncentrator tlenowy przeznaczony jest do indywidualnego użytku. Jest to urządzenie elektroniczne, oddzielające tlen od powietrza atmosferycznego. Dostarcza ono tlen w dużym stężeniu bezpośrednio do kaniuli donosowej. Badania kliniczne dowiodły, że koncentratory tlenu stanowią terapeutyczny odpowiednik innych typów systemów dostarczania tlenu.

Sposób używania koncentratora tlenu przedstawi dostawca. Należy się z nim skontaktować w przypadku pojawienia się pytań lub problemów związanych z koncentratorem tlenu. W podręczniku obsługi znajdują się informacje na temat koncentratora oraz informacje w czasie stosowania koncentratora.

Wybierz miejsc

OSTRZEŻENIE

NIE WOLNO zakrywać otworów wentylacyjnych produktu ani umieszczać go na miękkiej powierzchni, takiej jak łóżko lub kanapa, gdzie otwory wentylacyjne mogą zostać zablokowane. Z otworów należy usuwać włókna, włosy itp.

Koncentrator tlenu należy odsunąć od ścian, zasłon i mebli na co najmniej 30,5 cm.

Istnieje możliwość wyboru takiego pomieszczenia w domu, w którym korzystanie z koncentratora tlenu będzie najwygodniejsze. Dzięki zamontowanym kółkom urządzenie można łatwo przewozić z pokoju do pokoju.

Koncentrator tlenowy będzie działał optymalnie w przypadku pracy w warunkach przedstawionych w Typowe parametry produktu na stronie 145. Użytkowanie w warunkach innych niż opisane może spowodować konieczność częstszej konserwacji urządzenia. Aby uniknąć zanieczyszczeń unoszących się w powietrzu i/lub dymu, wlot powietrza urządzenia powinien znajdować się w dobrze przewietrzonym miejscu.

Ustawienia

1. Podłącz przewód zasilania do gniazda elektrycznego.
2. Podłączanie nawilzacza (o ile jest takie zalecenie)

OSTRZEŻENIE

NIE WOLNO przepelniać nawilzacza.

NIE WOLNO zamieniać podłączeń wejściowych i wyjściowych tlenu. Woda z butelki nawilzacza może się przedostać przez kaniulę z powrotem do pacjenta.

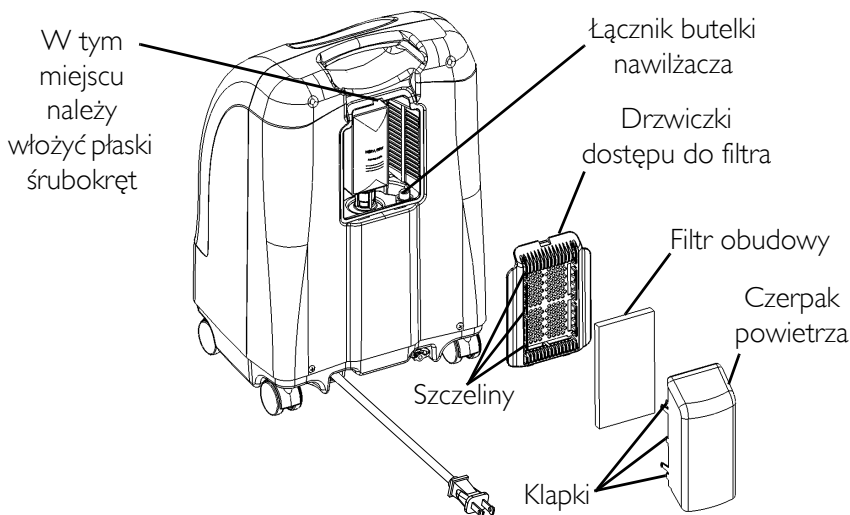
UWAGA: Informacje dotyczące tej procedury przedstawiono na RYSUNEK 6.1, RYSUNEK 6.2 na stronie 151, RYSUNEK 6.3 na stronie 152.

1. Usuń pokrywę z butelki.
2. Napelnij nawilzacz wodą destylowaną do poziomu wskazanego przez producenta. Załóż pokrywę nawilzacza i dobrze ją dokręć.



RYSUNEK 6.1 Napęnianie nawilżacza

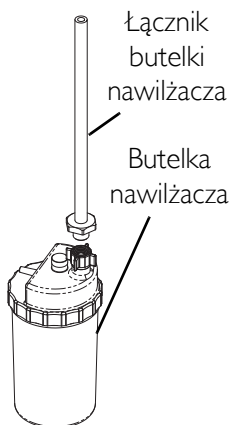
3. Włóż płaski śrubokręt w wyłobienie płyty przy górnej krawędzi drzwiczek dostępu do filtra i delikatnie je podważ w celu ich otworzenia (RYSUNEK 6.2).
4. Pociągnij i wyjmij łącznik butelki nawilżacza (RYSUNEK 6.2).
5. Zamknij drzwiczki dostępu do filtra i zainstaluj czerpak powietrza do drzwiczek dostępu do filtra montując na czerpaku powietrza sześć kłapek w sześciu szczelinach znajdujących się na bocznej części drzwiczek dostępu do filtra.



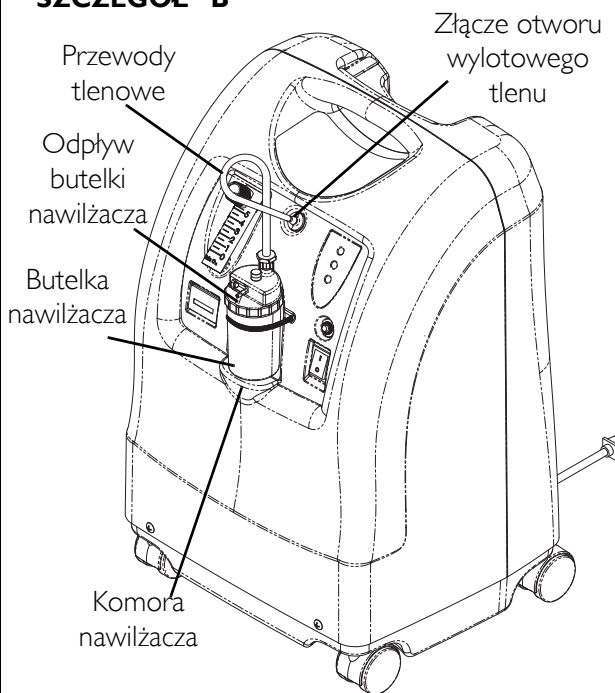
RYSUNEK 6.2 Łącznik butelki nawilżacza

6. Podłącz łącznik butelki nawilzacza do butelki nawilzacza, obracając nakrętkę znajdującą się na butelce nawilzacza w kierunku przeciwnym do ruchu wskazówek zegara do czasu pewnego jej zamocowania. Zob. Szczegół "A" w RYSUNEK 6.3.
7. Umieść zespół butelki nawilzacza/łącznika w przedziale nawilzacza koncentratora. Zob. Szczegół "B" w RYSUNEK 6.3.
8. Podłącz przewody tlenowe od zespołu butelki nawilzacza/łącznika do zaworu odpływu tlenu koncentratora. Zob. Szczegół "B" w RYSUNEK 6.3.
9. Do wylotu butelki nawilzacza podłącz kaniulę/przewody dostarczające dla pacjenta. Zob. Szczegół "B" w RYSUNEK 6.3.
10. Po zmontowaniu sprawdź, czy tlen przepływa przez kaniulę.

SZCZEGÓŁ "A"



SZCZEGÓŁ "B"

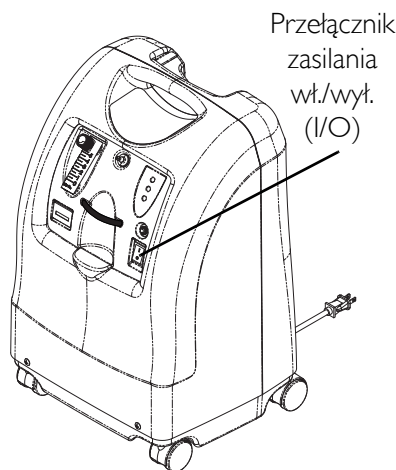


RYSUNEK 6.3 Komora nawilzacza

Power Switch

UWAGA: Informacje dotyczące tej procedury przedstawiono na RYSUNEK 6.4.

1. Włącz przełącznik Zasilania. Wszystkie lampki na panelu oraz alarm dźwiękowy zostaną włączone na jedną sekundę, wskazując, że urządzenie działa prawidłowo.



RYSUNEK 6.4 Wyłącznik zasilania

Szybkość przepływu

UWAGA: Informacje dotyczące tej procedury przedstawiono na RYSUNEK 6.5.

UWAGA: Należy uważać, aby nie ustawiać przepływu tlenu powyżej CZERWONEGO pierścienia. Przepływ tlenu o wartości większej niż 5 l/min spowoduje obniżenie stężenia tlenu.

1. Ustaw pokrętko szybkości przepływu w położeniu zaleconym przez lekarza lub specjalistę.

⚠ OSTRZEŻENIE

NIE WOLNO zmieniać ustawienia l/min na przepływomierzu, o ile zmiana nie została zalecona przez lekarza lub specjalistę.

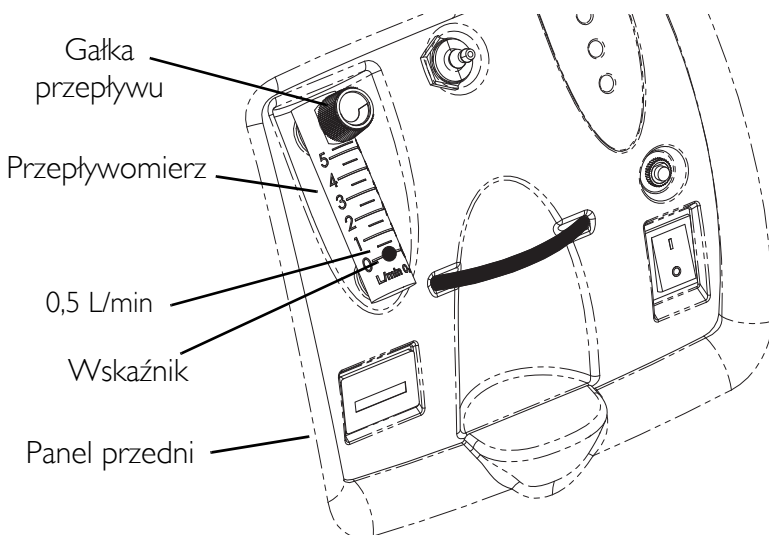
UWAGA: Aby prawidłowo odczytać wskazanie przepływomierza, należy znaleźć na nim linię zalecanej szybkości przepływu.

Następnie należy obracać pokrętkę przepływu do momentu, aż wskaźnik osiągnie tę linię. Teraz należy ustawić środek wskaźnika na zalecanej linii l/min.

UWAGA: Alert o możliwym zablokowaniu oznacza stan, który może być związany z częściowym lub całkowitym zablokowaniem tlenu wyjściowego.

2. Jeśli szybkość przepływu na przepływomierzu spadnie poniżej 0,5 l/min na ponad jedną minutę, nastąpi uruchomienie alertu o możliwym zablokowaniu. Są to szybkie sygnały dźwiękowe. Sprawdź przewody lub wyposażenie dodatkowe, upewniając się, czy przewody nie zostały zablokowane albo zagięte, a butelka nawilzacza nie jest wadliwa. Po przywróceniu nominalnego przepływu z przedziału od 0,5 l/min do 0,75 l/min alert o możliwym zablokowaniu zostanie wyłączony.

UWAGA: Zastosowanie niektórych akcesoriów, takich jak przepływomierz pediatryczny PreciseRx™ czy kompresor HomeFill, spowoduje wyłączenie alertu o możliwym zablokowaniu.



RYSUNEK 6.5 Szybkość przepływu

Wskaźnik czystości tlenu SensO₂ - Model IRC5PO2AW

Ta funkcja służy do monitorowania czystości tlenu wytwarzanego przez koncentrator. Jeśli czystość spadnie poniżej ustawionych standardów fabrycznych, zaświeci się lampka kontrolna na panelu sterowania.

Początkowe uruchomienie koncentratora

UWAGA: Koncentratora można używać podczas początkowego okresu nagrzewania (około 30 min), oczekując na osiągnięcie maksymalnej czystości O₂.

Po włączeniu urządzenia zaświeci się ZIELONA lampka (SYSTEM OK/O₂ powyżej 85%). Po pięciu minutach czujnik tlenu będzie działał normalnie i sterował lampkami kontrolnymi w zależności od wartości koncentracji tlenu.

Wyjaśnienie znaczenia diod wskaźnika czystości tlenu - Model IRC5PO2AW

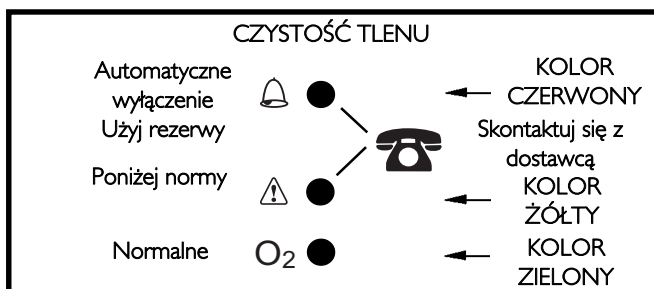
UWAGA: Informacje dotyczące tej procedury przedstawiono na RYSUNEK 6.6 na stronie 156.

Lampka ZIELONA (O₂) - normalna praca.

Lampka ŻÓŁTA (⚠) - natychmiast skontaktuj się z dostawcą. Można kontynuować korzystanie z koncentratora, o ile dostawca nie zaleci innego postępowania. Upewnij się, że w pobliżu znajduje się rezerwowe źródło tlenu.

Lampka CZERWONA (⚡) - wyłączenie całego urządzenia. Natychmiast wyłącz w celu uzupełnienia tlenu i skontaktuj się z dostawcą.

Lampka ZIELONA – oraz mrugająca lampka ŻÓŁTA - natychmiast skontaktuj się z dostawcą. Czujnik tlenu nie działa prawidłowo; można kontynuować używanie koncentratora.



RYSUNEK 6.6

Wyjaśnienie znaczenia diod wskaźnika czystości tlenu - Model IRC5PO2AW

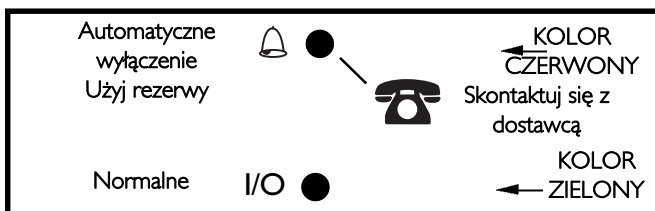
Wyjaśnienie komunikatów diod znacznikowych - Model IRC5PAW

UWAGA: Informacje dotyczące tej procedury przedstawiono na RYSUNEK 6.7.

IRC5PAW Model wyjaśnienia komunikatów diod

Lampka CZERWONA (⚠) - wyłączenie całego urządzenia. Natychmiast przełącz na zapasowe źródło zasilania tlenu i skontaktuj się z dostawcą.

Lampka ZIELONA (I/O) - wł./wył. System działa poprawnie.



RYSUNEK 6.7 Wyjaśnienie komunikatów diod znacznikowych - Model IRC5PAW

Licznik upływu czasu (licznik godzin)

Licznik godzin wyświetla łączną liczbę godzin pracy urządzenia.

CZĘŚĆ 7—KONSERWACJA

⚠ OSTRZEŻENIE

Koncentratory firmy Invacare zostały specjalnie zaprojektowane w celu zminimalizowania rutynowej konserwacji zapobiegawczej. Zabiegi zapobiegawczej konserwacji koncentratora mogą być przeprowadzane wyłącznie przez wykwalifikowany personel.

Podczas czyszczenia należy odłączyć koncentrator od sieci zasilającej. Aby zapobiec porażeniu prądem elektrycznym, **NIE WOLNO** zdejmować obudowy.

UWAGA: Konserwacja MUSI być wykonana przynajmniej według wytycznych konserwacji. W miejscach o dużym stężeniu kurzu lub sadzy niezbędne może być częstsze przeprowadzanie konserwacji. Patrz REJESTR KONSERWACJI PREWENCYJNEJ na stronie 159.

Konserwacja rutynowa

Czyszczenie filtra obudowy

UWAGA

NIE WOLNO używać koncentratora bez zainstalowanego filtra.

UWAGA: Informacje dotyczące tej procedury przedstawiono na FIGURE 7.1 na stronie 158.

UWAGA: W tylnej części znajduje się jeden filtr obudowy.

1. W razie potrzeby należy go zdemontować i oczyścić.

UWAGA: Warunki środowiskowe, które mogą wymagać częstych kontroli i czyszczenia filtra, to między innymi: duże zapylenie, zanieczyszczenie powietrza, etc.

2. Wyczyścić filtr obudowy za pomocą odkurzacza lub umyć go w ciepłej wodzie z mydłem i dokładnie opłucz.
3. Przed ponowną instalacją filtr należy dokładnie osuszyć.

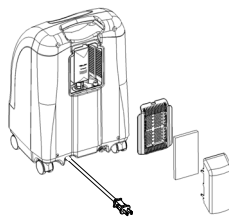
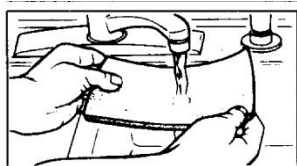


FIGURE 7.1 Czyszczenie filtra obudowy

Czyszczenie obudowy

1. Obudowę należy czyścić łagodnym środkiem czyszczącym i miękką szmatką lub gąbką (niepowodującą zarysowań).

Czyszczenie nawilżacza

UWAGA: Aby wyczyścić nawilżacz, należy postępować zgodnie z instrukcjami podanymi przez producenta. Jeśli ich nie ma, należy wykonać następujące CZYNNOSCI:

1. Czyścić nawilżacz codziennie.
2. Umyć go w wodzie z mydłem i opłucz roztworem dziesięciu części wody i jednej części octu.
3. Dokładnie opłucz nawilżacz gorącą wodą i ponownie napełnij wodą destylowaną do poziomu wskazanego na urządzeniu.

CZĘŚĆ 8—ROZWIĄZYWANIE PROBLEMÓW

OBJAW:	PRAWDO- PODOBNA PRZYCZYNA:	ROZWIĄZANIE:
Alarm:	Brak zasilania:	
Krótkie dźwięki, długie przerwy	1. Przewód zasilania nie jest podłączony.	1. Włóż wtyczkę do gniazda.
Koncentrator nie działa, przełącznik zasilania włączony.	2. Brak zasilania w gnieździe.	2. Sprawdź wyłączniki obwodu lub bezpieczniki w domu. Jeśli problem wystąpi ponownie, użyj innego gniazda.
Bip.....Bip.....	3. Zadziałał wyłącznik obwodu.	3. Wciśnij/wymień wyłącznik obwodu. Jeśli problem utrzymuje się, skontaktuj się z dostawcą usługi.
Alarm: Ciągły Koncentrator nie działa, przełącznik zasilania włączony. Biiiiiiiiiiiiip....	Awaria systemu: 1. Przegrzanie urządzenia z powodu zablokowanego wlotu powietrza. 2. Niewystarczający poziom zasilania w gnieździe. 3. Wymagane są naprawy wewnętrzne.	1a. Wyjmij i wyczyść filtry obudowy. 1b. Koncentrator tlenu należy odsunąć od ścian, zasłon i mebli na co najmniej 30,5 cm. 2. NIE używaj przedłużaczy. Podłącz urządzenie do innego gniazda lub obwodu elektrycznego. 3. Skontaktuj się z serwisem.

OBJAW:	PRAWDO- PODOBNA PRZYCZYNA:	ROZWIĄZANIE:
<p>Świeci się ŻÓŁTA lub CZERWONA lampka.</p> <p>Alarm: Ciągły Świeci się tylko czerwona lampka.</p> <p>* Dotyczy wyłącznik modeli IRC5PO2AW.</p>	1. Niska czystość tlenu.*	1. Wyczyść lub wymień filtry.
	2. Zgięte lub zablokowane przewody, kaniula lub nawilżacz.*	2. Sprawdź, czy nie ma zgięć lub blokad. Popraw, wyczyść lub wymień element. Po dokonaniu poprawki WYŁĄCZ zasilanie na 60 sekund, a następnie Włącz je ponownie.
	3. Przepływomierz ustawiony na wartość 0,5 l/min *.	3. Sprawdź, czy przepływomierz jest ustawiony na 1,0 l/min lub więcej. Patrz <u>Typowe parametry produktu</u> na stronie 145.
	4. Przegrzanie urządzenia z powodu zablokowanego wlotu powietrza.	4a. Wyjmij i wyczyść filtry obudowy. 4b. Koncentrator tlenu należy odsunąć od ścian, zasłon i mebli na co najmniej 30,5 cm.
	5. Niewystarczający poziom zasilania w gnieździe.	5. NIE używaj przedłużaczy. Podłącz urządzenie do innego gniazda lub obwodu elektrycznego.
	6. Wymagane są naprawy wewnętrzne.	6. Skontaktuj się z serwisem.
Miga ZIELONA lub ŻÓŁTA lampka	1. Wymagane są naprawy wewnętrzne.	1. Skontaktuj się z serwisem.

OBJAW:	PRAWDO- PODOBNA PRZYCZYNA:	ROZWIĄZANIE:
<p>Alarm: Rapid (Szybko)</p> <p>Bip....Bip... Bip....Bip</p>	<p>Alert o możliwym zablokowaniu</p> <p>I a. Możliwe zablokowanie wewnątrz drogi tlenu.</p> <p>I b. Zgięte lub zablokowane przewody, kaniula lub nawilżacz.</p> <p>I c. Przepływomierz ustawiony na wartość 0,5 l/min.</p>	<p>I a. Sprawdź, czy nie ma zgięć lub blokad. Popraw, wyczyść lub wymień element. Po dokonaniu poprawki Wyłącz zasilanie na 60 sekund, a następnie Włącz je ponownie.</p> <p>I b. Szybkości przepływu poniżej 1 l/min nie są zalecane.</p> <p><i>UWAGA: Zastosowanie przepływomierza pediatrycznego spowoduje wyłączenie alertu o możliwym zablokowaniu.</i></p>

CZĘŚĆ 9—OPCJONALNE ELEMENTY WYPOSAŻENIA DODATKOWEGO

Dostępne są również następujące opcjonalne elementy wyposażenia dodatkowego:

- Standardowa kaniula nosowa – model przeznaczony dla dorosłych, 2,1 m (7 stóp) - M3120
- Standardowy nawilżacz – M5120
- Nawilżacz PreciseRX™ przeznaczony dla dzieci/Element wyposażenia dodatkowego przepływomierza - IRCPF16AW
- Kompresor domowego systemu tlenoterapii HomeFill – IOH200AW

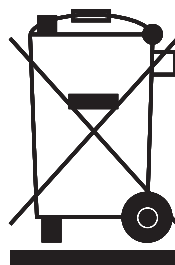
INFORMACJE DOTYCZĄCE UTYLIZACJI

Ten produkt jest dostarczany przez producenta dbającego o środowisko i przestrzegającego dyrektywy 2002/96/CE dotyczącej zużytych urządzeń elektrycznych i elektronicznych (WEEE).

Produkt może zawierać substancje, które mogą być szkodliwe dla środowiska, jeśli zostaną wyrzucone w miejscach (składowiskach odpadów) nieodpowiadających przepisom.

Symbol 'przekreślonego kosza na śmieci' został umieszczony na tym produkcie w celu zachęcenia użytkownika do stosowania – w miarę możliwości – recyklingu.

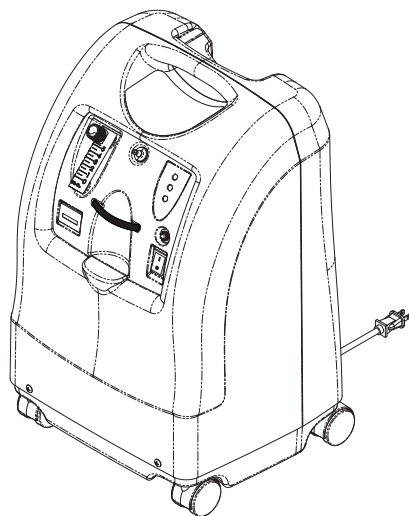
Należy dbać o środowisko naturalne i utylizować produkt, przekazując go po zakończeniu użytkowania do zakładu utylizacji.



Návod k použití

Perfecto₂[™] Series

Koncentrátory kyslíku bez SensO₂[®],
Koncentrátory kyslíku se SensO₂[®]
Kompatibilní s HomeFill[®]



Model IRC5PO2AW
Model IRC5PO2VAW

Model IRC5PAW



Dealer: Tento návod MUSÍTE předat
konečnému uživateli.

Uživatel: BPŘED použitím výrobku si
přečtete tento návod a uschovejte ho pro
budoucí referenci.



Yes, you can.

⚠ UPOZORNĚNÍ

NEPOUŽÍVEJTE tento výrobek ani jiné dostupné doplňkové zařízení aniž byste si úplně přečetli a pochopili tyto instrukce a jakýkoli další materiál s instrukcemi, jako např. Návod k použití, Návod k obsluze nebo karty s instrukcemi, které jsou dodávány s tímto výrobkem nebo doplňkovým zařízením. Pokud nerozumíte upozorněním, výstrahám nebo instrukcím, obraťte se na odborníka ve zdravotnictví, dealera nebo technický personál dříve, než začnete toto zařízení používat - jinak by mohlo dojít ke zranění nebo poškození.

⚠ UPOZORNĚNÍ TÝKAJÍCÍ SE PŘÍSLUŠENSTVÍ

Produkty Invacare jsou speciálně navrženy a vyrobeny k použití s Invacare příslušenstvím. Příslušenství navrhované jinými výrobci nebylo testováno společností Invacare a nedoporučují se používat s Invacare produkty.

PŘÍSLUŠENSTVÍ

Existuje mnoho různých typů zvlhčovačů vzduchu, kyslíkových hadiček, kanyl a masek, které lze s tímto zařízením používat. Měli byste se obrátit na své místní zdravotnické zařízení a požádat o doporučení, které z těchto výrobků budou pro Vás nejlepší. Také by Vám měli poradit, jak zařízení správně používat, udržovat a čistit.

Dodané příslušenství (nosní kanyla, maska, hadičky, zvlhčovač atd.) používané k zajištění dodávky kyslíku pacientovi musí zahrnovat prostředky k omezení šíření požáru, které v případě vznícení příslušenství zajistí bezpečnost pacienta i ostatních osob. Je-li běžně prodejné, používá se zařízení k zastavení průtoku, které se aktivuje při zjištění požáru a tvoří součást sady příslušenství. Toto zařízení by mělo být umístěno tak blízko pacienta, jak to dovolují konkrétní podmínky použití.



OBSAH

PŘÍSLUŠENSTVÍ	166
ZVLÁŠTNÍ POZNÁMKY	168
UMÍSTĚNÍ NÁLEPKY	170
ČÁST 1—VŠEOBECNÉ POKYNY	171
Provozní informace	172
Vysokofrekvenční rušení.....	173
ČÁST 2—CHARAKTERISTIKA	174
ČÁST 3—ZACHÁZENÍ	175
Vybalování.....	175
Inspekce.....	175
Uskladnění.....	175
ČÁST 4—TECHNICKÝ POPIS	176
Účel použití.....	176
Technický popis.....	176
ČÁST 5—TYPICKÉ PARAMETRY VÝROBKU ..	177
ČÁST 6—NÁVOD K POUŽITÍ	181
Úvod.....	181
Vyberte místo.....	181
Nastavení.....	182
Průtok	185
Indikátor čistoty kyslíku SensO ₂ - Model IRC5PO2AW.....	186
Počáteční spuštění koncentrátoru	186
Vysvětlení světelných indikátorů - Model IRC5PAW.....	187
Měřič uplynulého času (Hodinový měřič).....	188
ČÁST 7—PRŮVODCE K ŘEŠENÍ PROBLÉMŮ ...	189
ČÁST 8—ÚDRŽBA	192
Rutinní údržba.....	192
ČÁST 9—ZVLÁŠTNÍ PŘÍSLUŠENSTVÍ	195
INFORMACE O RECYKLOVÁNÍ	196
ZÁKAZNICKÝ SERVIS A INFORMACE O ZÁRUCE	198

ZVLÁŠTNÍ POZNÁMKY

V tomto návodu se používají signální slova, vztahující se k hazardním nebo nebezpečným praktikám, které mohou mít za následek zranění osob nebo poškození majetku.

V následující tabulce najdete definice signálních slov.

SIGNÁLNÍ SLOVO	VÝZNAM
 NEBEZPEČÍ	Nebezpečí znamená bezprostředně hazardní situaci, která, pokud se jí nevyhnete, bude mít za následek smrt nebo vážné zranění.
 UPOZORNĚNÍ	Upozornění znamená potenciálně hazardní situaci, která, pokud se jí nevyhnete, by mohla mít za následek smrt nebo vážné zranění.
VÝSTRAHA	Výstraha označuje možnou hazardní situaci, která, pokud se jí nepředejde, může mít za následek poškození majetku, lehké zranění, nebo obojí.

UPOZORNĚNÍ

Informace obsažená v tomto dokumentu se může bez upozornění změnit.

NEBEZPEČÍ

Při používání tohoto zařízení **NEKURŤTE**. Odstraňte všechny zápalky, hořící cigarety nebo jiné zdroje vznícení z místnosti, kde se tento produkt nachází a z místa, kde se kyslík používá.

Tabulky **ZÁKAZ KOUŘENÍ** musí být viditelně umístěny. Textilie a ostatní materiály, které normálně nehoří, snadno vzplanou a hoří velice intenzivně ve vzduchu obohaceném kyslíkem. Nedodržování těchto bezpečnostních pravidel může vést k vážnému požáru, poškození majetku a způsobit fyzické zranění nebo smrt.

VÝSTRAHA

“Výstraha: Statutární zákony mohou omezit prodej tohoto zařízení pouze na předpis lékaře nebo jiného odborníka, který je zákony státního úřadu, kde provozuje praxi, oprávněn toto zařízení používat nebo předepsat jeho požívání.”

Společnost Invacare doporučuje alternativní zdroj přídavného kyslíku pro případ výpadku elektrického proudu, poplachu nebo mechanického selhání. Poradte se s lékařem nebo dodavatelem zařízení, jaký typ náhradního systému se požaduje.

Toto vybavení se má používat jako kyslíkový doplněk a nepovažuje se za dostatečné k podpoře života nebo k udržení při životě.

UMÍSTĚNÍ NÁLEPKY

Perfecto₂™

INSTRUKCE PRO UŽIVATELE nebo POPLAŠNÉ SIGNÁLY (Viz Návodů k použití)

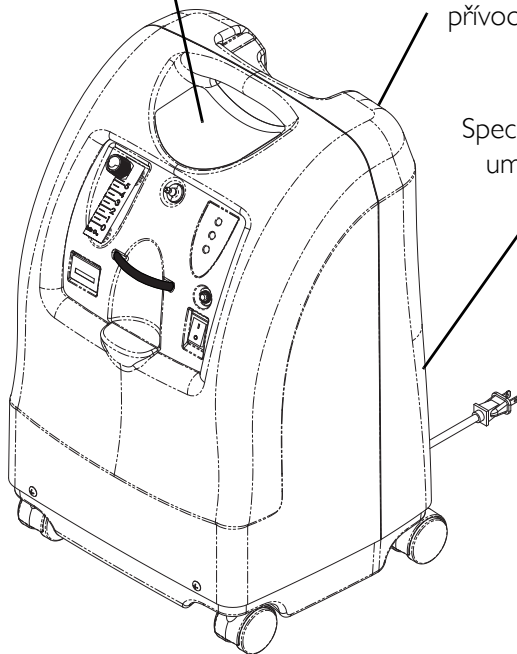
- ⚠ NEBEZPEČÍ OHNĚ
NEKOUŘIT - VŠECHNY vznehlivé předměty se musí odstranit z místnosti, kde je umístěn tento výrobek a z prostor, kde se kyslík používá. Textilie, oleje a jiné hořlaviny se snadno vznítí a hoří velice intenzivně ve vzduchu obohaceném kyslíkem.
- ⚠ NEBEZPEČÍ ÚRAZU ELEKTRICKÝM PROUDEM
NESNÍMEJTE kryt. O servis požádejte kvalifikovaný personál.
- ⚠ Výstraha upozorňující na možnou překážku (zvuková signalizace opakující se v rychlém sledu) se spouští při zjištění průtočného množství nižšího než 0,5 l/min.
- ⚠ Při plnění cylindrů HomeFill® nastavte měřič průtoku na hodnotu 2,5 l/min nebo méně.

HomeFill®
Kompatibilní



Nálepka s výrobním číslem je umístěna na sestavě přívodu rezonátor

Specifikační nálepka je umístěna na zadní straně dole



ČÁST I—VŠEOBECNÉ POKYNY

K zajištění bezpečné instalace, montáže a provozu koncentrátoru Perfecto₂ MUSÍTE dodržovat tyto instrukce.

⚠ UPOZORNĚNÍ

Tato část obsahuje důležité informace o bezpečném provozu a užívání tohoto výrobku.

⚠ NEBEZPEČÍ

Riziko úrazu elektrickým proudem. **NEROZEBÍREJTE. O servis požádejte kvalifikovaný personál. Uživatel neprovádí servis na žádných částech zařízení.**

JAK SNÍŽIT RIZIKO POPÁLENIN, ÚRAZU ELEKTRICKÝM PROUDEM, POŽÁRU NEBO ZRANĚNÍ OSOB.

Nepoužívejte v koupeli. Pokud lékař předepsal nepřetržité používání, koncentrátor MUSÍ být umístěn v jiné místnosti, nejméně 2,5m (7stop) od koupele.

NEDOTÝKEJTE se koncentrátoru dokud se neосуšíte.

NENECHÁVEJTE nebo NESKLADUJTE výrobek v místě, kde by mohl spadnout do vody nebo jiné kapaliny.

NEDOTÝKEJTE se výrobku, který spadl do vody. OKAMŽITĚ ho vytáhněte ze zásuvky.

Pokud má kompresor poškozenou šňůru nebo přípojku, správně nepracuje, byl upuštěn na zem nebo poškozen nebo ponořen do vody, zavolejte kvalifikovaného technika na prohlídku a opravu.

Pokud s kyslíkem pod tlakem přijde do styku olej, tuk nebo mastné látky, může dojít ke spontánnímu a prudkému vznícení. Tyto látky se MUSÍ odstranit z blízkosti koncentrátoru kyslíku, hadiček a spojů a všeho dalšího kyslíkového zařízení. **NEPOUŽÍVEJTE žádná maziva pokud nejsou doporučena společností Invacare.**

Provozní informace

Pro optimální provoz společnost Invacare doporučuje, aby každý koncentrátor byl zapnut a v provozu vždy alespoň 30 minut. Kratší doba provozu by mohla snížit maximální životnost výrobku.

Ujistěte se, že kyslíkové hadičky, kabel a jednotka nejsou zakryty předměty jako deky, pokrývky na posteli, polštářky na židlích, kusy oděvu, a že nejsou v blízkosti teplých nebo horkých předmětů, včetně elektrických radiátorů, sporáků a podobných elektrických spotřebičů.

NEPOHYBUJTE koncentrátorem ani ho NEPŘETAHujte z místa na místo tak, že byste ho táhli za elektrický kabel.

NIKDY nenechte spadnout ani nevsunujte žádný předmět nebo nenalévejte tekutinu do žádného otvoru.

Společnost Invacare doporučuje, aby se s tímto výrobkem používaly kyslíkové hadičky Crush-Proof do délky 15,2m (50 stop).

Uživatel neprovádí servis na žádných částech zařízení. Toto nezahrnuje předměty běžné údržby. Předměty podléhající údržbě uživatelem najdete v části o údržbě.

Výrobek zapnutý v zásuvce se NIKDY nesmí nechat bez dozoru. Pokud se Perfecto₂ nepoužívá, ujistěte se, že je vypnut.

Pečlivý dozor je nutný, pokud se tento výrobek používá v blízkosti dětí nebo tělesně postižených osob.

Zvýšené sledování nebo dohled může být nutný, pokud tento přístroj používají pacienti, kteří nemohou slyšet nebo vidět poplašný signál nebo si stěžovat na nevolnost.

NEZAPOJUJTE koncentrátor paralelně nebo v sérii s jinými koncentrátory kyslíku nebo s přístroji pro terapii kyslíkem.

Vysokofrekvenční rušení

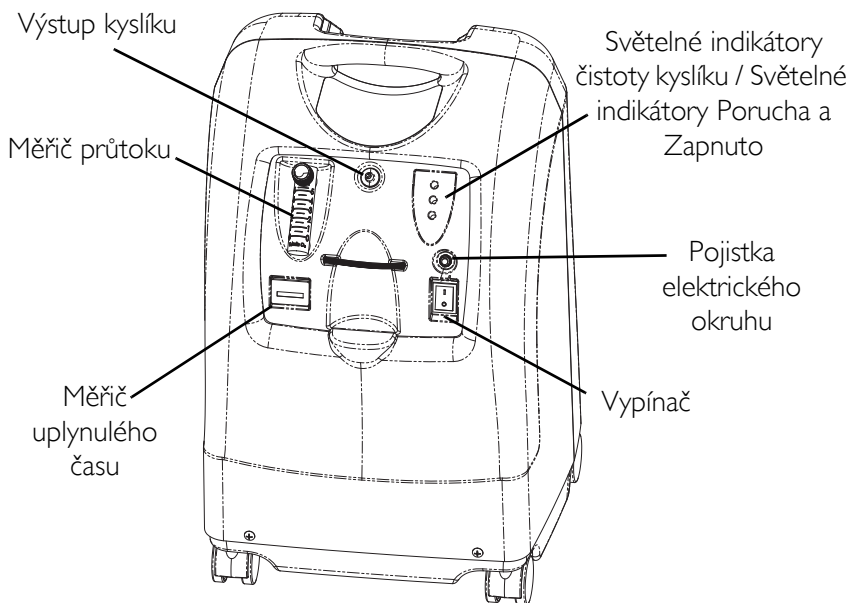
Toto zařízení bylo testováno a odpovídá EMC limitům specifikovaným v IEC/EN 60601-1-2. Tyto limity jsou určeny k poskytnutí rozumné ochrany proti elektromagnetickému rušení v typické instalaci ve zdravotnictví.

Jiná zařízení mohou být ovlivněna rušením i nízkými hodnotami elektromagnetického přenosu, který je povolen výše uvedenými normami. Abyste zjistili, zda rušení způsobuje přenos z Perfecto₂, vypněte Perfecto₂. Pokud se rušení jiného přístroje (jiných přístrojů) zastaví, pak Perfecto₂ způsobuje rušení. V takových řídkých případech lze rušení snížit nebo upravit jedním z následujících opatření:

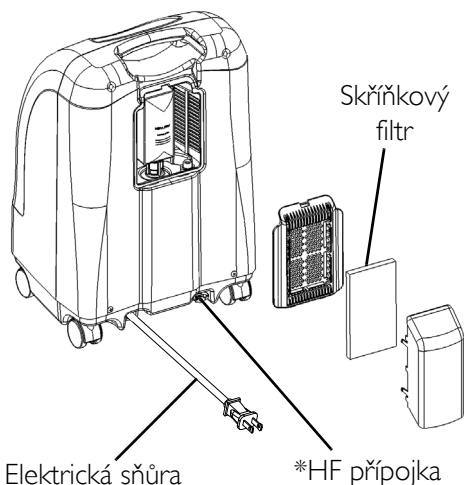
- Otočte, přemístěte nebo zvětšete vzdálenost mezi přístroji.
- Zapojte obě (všechna) zařízení do různých zásuvek nebo do různých elektrických okruhů.

Zabraňte jakémukoli jiskření v blízkosti zdravotnického zařízení s kyslíkem. Toto zahrnuje výboje statické elektřiny způsobené jakýmkoli třením.

ČÁST 2—CHARAKTERISTIKA



POHLED ZE ZADU



**POZNÁMKA: Tato přípojka se smí používat pouze pro plnění kyslíkových bomb s domácím kompresorem kyslíku HomeFill. Přípojka nemá vliv na výkon koncentrátoru. Instrukce k zapojení a provozu najdete v návodu k použití pro HomeFill, číslo součástky 1145804. Pokud se přípojka nepoužívá, měla by do ní být zasunuta zátka dodávaná s koncentrátorem. Pro více informací o HomeFill kontaktujte Vašeho dealera společnosti Invacare.*

ČÁST 3—ZACHÁZENÍ

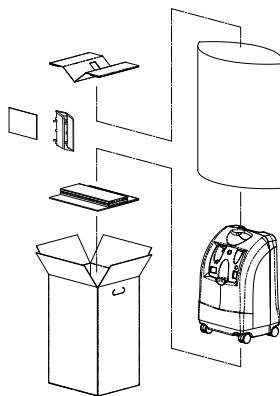
Koncentrátor musí VŽDY stát, aby se zabránilo poškození skříňky při transportu.

Pokud se koncentrátor bude posílat na jiné místo veřejným přepravcem, další kartony jsou k dispozici u společnosti Invacare.

Vybalování

POZNÁMKA: K provedení této procedury nahlédněte do OBRÁZEK 3.1.

1. Zkontrolujte, zda obal nebo jeho obsah nejsou viditelně poškozeny. Pokud najdete poškození, oznamte to veřejnému přepravci nebo svému místnímu dealerovi.
2. Vyndejte z kartonu všechny volně ležící obalové materiály.
3. Opatrně vyndejte z kartonu všechny komponenty.



OBRÁZEK 3.1 Vybalování

POZNÁMKA: Pokud se koncentrátor kyslíku nebude OKAMŽITĚ používat, ponechte jej v původním obalu k uskladnění, dokud se použití koncentrátoru nebude požadovat.

Inspekce

1. Zkontrolujte/prohlédněte koncentrátor kyslíku zvenku, zda není pořezaný, promáčkнутý, poškrábaný, nebo nemá jiná poškození. Zkontrolujte všechny komponenty.

Uskladnění

1. Koncentrátor kyslíku skladujte v původním obalu v suchém místě.
2. Na koncentrátor v původním obalu NEPOKLÁDEJTE žádné předměty.

ČÁST4—TECHNICKÝ POPIS

Účel použití

Tento kyslíkový koncentrátor je určen k individuálnímu použití u pacientů s poruchami dýchání, jejichž stav vyžaduje dodatečné zásobování kyslíkem. Zařízení není určeno k udržování nebo podpoře životních funkcí.

Technický popis









Hladina koncentrace kyslíku ve vycházejícím plynu se pohybuje od 87% do 95,6%. Kyslík je pacientovi dodáván s použitím nosní kanyly.

Aby se dosáhlo výstupu plynného kyslíku, koncentrátor Invacare Perfecto₂ používá molekulární sítko a metodu střídavé tlakové adsorpce. Okolní vzduch vstupuje do přístroje, filtruje se a stlačuje. Stlačený vzduch je pak nasměrován k jednomu ze dvou síték, které adsorbují dusík. Koncentrovaný kyslík vychází z opačné strany aktivního sítka a je nasměrován do kyslíkové nádrže, odkud je dodáván pacientovi.

Pacient může používat koncentrátor Invacare Perfecto₂ buď doma, nebo ve zdravotnickém zařízení. Přístroj pracuje při nominálním napětí 230 VAC/50 Hertzů.

Informace o servisu budou k dispozici na požádání pouze kvalifikovanému technickému personálu.

ČÁST 5—TYPICKÉ PARAMETRY VÝROBKU

	Střídavý proud
	Zařízení typu BF
	Jednotka v provozu
	Jednotka není v provozu
	Pozor - Prohlédněte doprovodné dokumenty
	NEKURŤE
	Třída II, Dvojitá izolace
IPX0	Nechráněno
	Tento výrobek vyhovuje požadavkům směrnice 93/42/EHS o zdravotnických prostředcích. Datum uvedení tohoto výrobku na trh je uvedeno v prohlášení o shodě se směrnicemi ES.
Požadavky na elektrický proud:	230 VAC ± 10% (253 VAC/207 VAC), 50 Hz
Poměrný příkon proudu:	1.4 A
Hlasitost zvuku:	Průměrně 39,5 dBA
Nadmořská výška:	Do 1828 metrů (6.000 stop) nad mořem nedochází k degradaci hladiny koncentrace. Nedoporučuje se používat v nadmořské výšce přes 1828 metrů (6.000 stop).
Hladiny koncentrace výstupu kyslíku: <i>POZNÁMKA: Uvedené hladiny koncentrace se dosáhnou po počáteční době zahřívání (přibližně 30 minut).</i>	Všechny modely IRC5PO2AW / IRC5PAW - 87% až 95,6% při 0,5 do 5 l/min
Maximální výstupní tlak:	34,5 kPa ± 3,45 kPa (5 psi ± 0,5 psi)
Rozsah průtoku:	0,5 do 5 l/min (maximum). Pro hladiny průtoku menší než 1 l/min doporučujeme používat příslušenství měřiče průtoku pro děti společnosti Invacare (IRCPFI6AW).




ČÁST 5—TYPICKÉ PARAMETRY VÝROBKU

Výstraha upozorňující na možnou překážku:	0 l/min do 0,5 l/min Koncentrátor zjišťuje stav, který může poukazovat na možnou překážku bránící dodávce kyslíku. Tento stav je signalizován zvukovou výstrahou ve formě rychle se opakujícího sledu pípnutí (při připojování příslušenství je tato výstražná signalizace deaktivována). Tato signalizace může souviset také s nastavením průtočného množství činícího 0,5 l/min nebo méně.
Elektrina - průměrná:	300 W 280 W @ ≤ 3 L/min
Mechanismus na snížení tlaku pracuje při:	241 kPa ± 24,1 kPa (35 psi ± 3,5 psi)
Změna v maximálním doporučeném průtoku při aplikaci zpětné síly 7kPa:	0,7 l/min
Filtry:	Skříňka, ventil HEPA a nasávání kompresoru
Bezpečnostní systém:	Vypnutí kvůli přetížení nebo přepětí v síti. Vypnutí kvůli vysoké teplotě kompresoru. Poplašný signál vysokého tlaku s vypnutím kompresoru. Poplašný signál nízkého tlaku s vypnutím kompresoru. Poplašný signál při ztrátě napájení z baterie. Výstraha upozorňující na možnou překážku v kyslíkovém systému SensO2.
Šířka:	38,1 cm ± 1 cm (15 palců ± 3/8 palce)
Výška:	58,4 cm ± 1 cm (23 palců ± 3/8 palce)
Hloubka:	30,5 cm ± 1 cm (12 palců ± 3/8 palce)
Váha:	20.5 kg ± 1 kg (45 libry ± 2 libry)
Váha při dodání:	22.7 kg ± 1 kg (50 libry ± 2 libry)
Provozní prostředí Teplota:	10°C - 35°C (50°F - 95°F) při 20-60% relativní vlhkosti vzduchu
Teplota chlazeného vzduchu z odsávání:	Méně než okolní teplota +19°C (+ 35°F)
Teplota vycházejícího kyslíku:	Méně než okolní teplota +3°C (+ 6°F)
Skříňka:	Skříňka z umělé hmoty vzdorující nárazu, pomalu hořlavá, odpovídající normě UL 94-V0.
Výrobek není AP/APG	Není vhodný pro použití v přítomnosti hořlavé anestetické směsi.
Seznam norem a předpisů:	IRC5PO2AW/IRC5PAW IEC/EN61000-3-2 IEC/EN61000-3-3, IEC/EN 60601-1, A1, A2 IEC/EN 60601-1-2 Pouze pro modely IRC5PO2AW ISO8359 MDD 93/42/EEC, doložka I a IX

ČÁST 5—TYPICKÉ PARAMETRY VÝROBKU

Model označený CE	IRC5PO2AW
Elektrické:	Nepoužívat prodlužovací kabely.
Umístění:	Ne blíže než 30,5 cm (12 palce) od jakékoli stěny, nábytku, závěsů nebo nábytku, aby se zajistil dostatečný přístup vzduchu. Vyhněte se hlubokým vrstvám koberců a ohřívačům, radiátorům nebo regulátorům horkého vzduchu. Stavět pouze na podlahu.
Hadičky:	2 metrová (7 stopová) kanyla s maximálně 15 metrovou (50 stopovou) hadičkou Crush-Proof (NESTLAČOVAT).
Provozní doba:	Až 24 hodin denně.
Doporučená skladovací a přepravní teplota:	-29°C až 65°C (-20°F až 150°F) při 15-95% relativní vlhkosti vzduchu.
Prostředí:	Bez kouře a sazí. Neumísťujte v uzavřených prostorech (Na příklad: Ne ve skříni).
Minimum Operating Time:	30 minut


INDIKÁTORY IRC5PO2AW

SYMBOL ŠTÍTKU	CISTOTA O ₂	SVETELNE INDIKÁTORY (LED)
	SYSTÉM OKAY O ₂ přes 85% (± 2%)	ZELENÁ kontrolka
	O ₂ mezi 73% (± 3%) až 85% (±2%)	ŽLUTÁ kontrolka A. ŽLUTÁ svítí B. ŽLUTÁ kontrolka bliká Selhání Zavolejte kvalifikovaného technika.
	SYSTÉM SELHAL O ₂ pod 73% (±3%)	ČERVENÁ kontrolka Nepřetržitý zvukový alarm, kompresor Sieve-GARD se vypnul

INDIKÁTORY IRC5PAW

SYMBOL ŠTÍTKU	STATUS	SVETELNE INDIKÁTORY (LED)
I/O	SYSTÉM OKAY	ZELENÁ kontrolka

ČÁST 5—TYPICKÉ PARAMETRY VÝROBKU

	SYSTEM SELHAL	CERVENA kontrolka Nepřetržitý zvukový alarm, kompresor Sieve-GARD™ se vypnul Zavolejte kvalifikovaného technika
---	---------------	---

ČÁST 6—NÁVOD K POUŽITÍ

Úvod

Váš koncentrátor kyslíku je určen k individuálnímu použití. Je to elektronické zařízení, které odděluje kyslík ze vzduchu v místnosti. Skrze nosní kanylu je Vám přímo dodáván vysoce koncentrovaný kyslík. Klinické studie zaznamenaly, že koncentrátory kyslíku jsou terapeuticky ekvivalentní jiným typům systémů, které dodávají kyslík.

Lékař Vám ukáže, jak se koncentrátor kyslíku používá. Budete se na něho (ni) obracet s jakýmkoli otázkami nebo problémy týkajícími se Vašeho koncentrátoru kyslíku. O svém koncentrátoru si přečtete v návodu k použití, který také poslouží jako referenční materiál, až budete koncentrátor používat.

Vyberte místo

⚠ UPOZORNĚNÍ

NIKDY neblokujte vzduchové otvory výrobku ani ho nestavte na měkký povrch, jako např. postel nebo válenda, kde by mohlo dojít k zablokování vzduchového otvoru. Nedopusťte, aby se otvory zanesly vlákny, vlasy apod.

Kyslíkový koncentrátor umístěte do vzdálenosti alespoň 30,5 cm od zdi, záclon a závěsů či nábytku.

Vyberte v domě místnost, kde používání koncentrátoru kyslíku bude nejvhodnější. Koncentrátor můžete snadno na kolečkách přetáhnout z jedné místnosti do druhé.

Váš koncentrátor kyslíku bude nejlépe pracovat za podmínek uvedených v Typické parametry výrobku na straně 177. Použití v jiném prostředí, než je popsáno, může mít za následek zvýšenou potřebu údržby zařízení. Nasávání vzduchu do zařízení by se mělo umístit v dobře větraném prostoru, aby se zabránilo přístupu znečištěného vzduchu a/nebo výparů.

Nastavení

1. Zapojte elektrický kabel do zásuvky.
2. Připojte zvlhčovač vzduchu (pokud ho máte předepsaný)

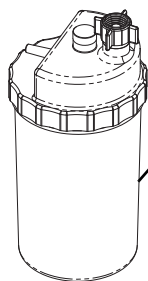
⚠ UPOZORNĚNÍ

Zvlhčovač vzduchu **NEPŘEPLŇUJTE**.

NEZAMĚŇTE zapojení vstupu a výstupu kyslíku. Voda z láhve zvlhčovače vzduchu bude procházet kanylou zpět k pacientovi.

POZNÁMKA: K provedení této procedury nahlédněte do OBRÁZEK 6.1, OBRÁZEK 6.2 na straně 183, OBRÁZEK 6.3 na straně 184.

1. Odstraňte uzávěr z láhve.
2. Naplňte zvlhčovač vzduchu destilovanou vodou do úrovně označené výrobcem. Nasaďte zpět uzávěr zvlhčovače vzduchu a pevně ho utáhněte.



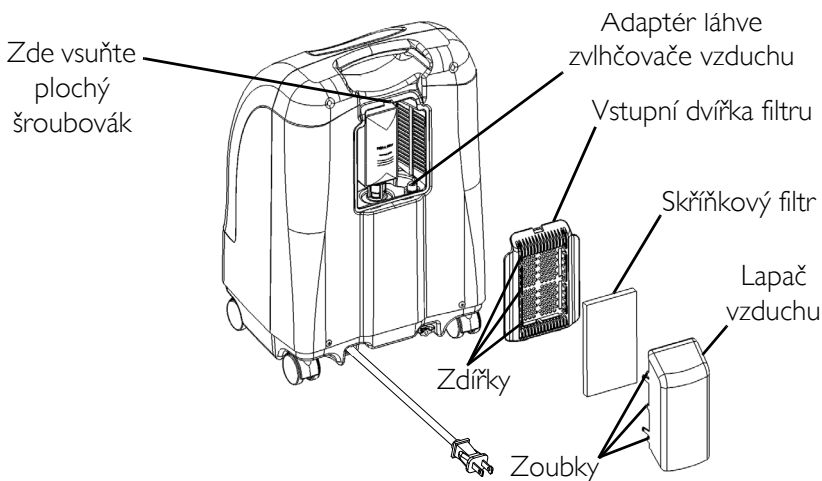
Láhev zvlhčovače vzduchu s uzávěrem



Láhev zvlhčovače vzduchu bez uzávěru

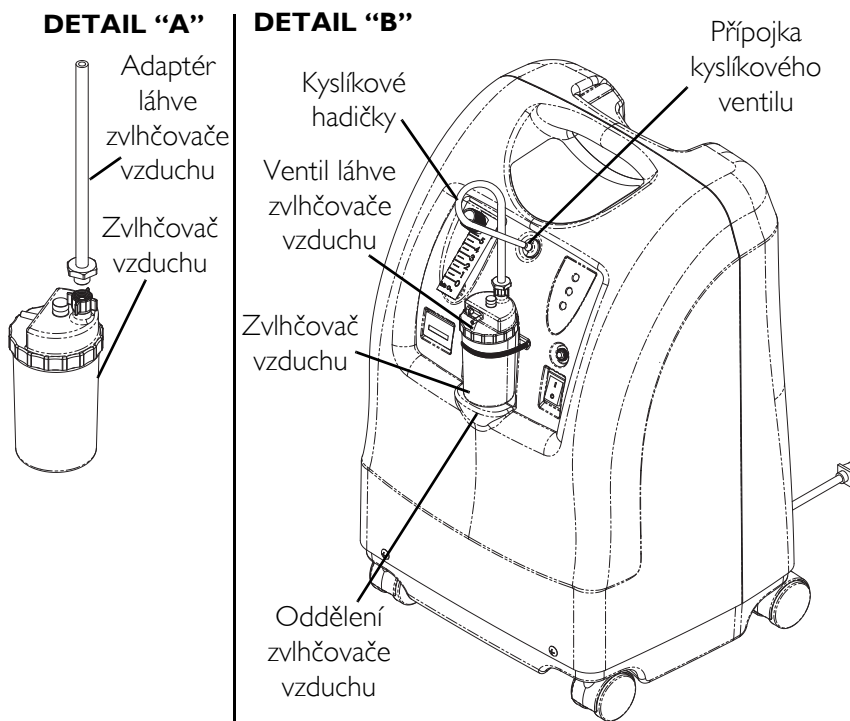
OBRÁZEK 6.1 Plnění zvlhčovače vzduchu

3. Vsuňte plochý šroubovák do drážky na plošince na horní hraně vstupních dveří filtra a páčivým pohybem opatrně vstupní dvířka filtra otevřete (OBRÁZEK 6.2).
4. Tahem nahoru vyndejte adaptér láhve zvlhčovače vzduchu (OBRÁZEK 6.2).
5. Vraťte na místo vstupní dvířka filtra a nainstalujte lapač vzduchu na vstupní dvířka filtra tak, že zasunete šest zoubků na lapači vzduchu do šesti zdířek na stranách vstupních dveří filtra.



OBRÁZEK 6.2 Adaptér láhve zvlhčovače vzduchu

6. Připojte adaptér láhve zvlhčovače vzduchu k láhvi zvlhčovače vzduchu tak, že otáčíte křídlatou maticí na láhvi zvlhčovače vzduchu proti směru hodinových ručiček až do úplného zatažení. Viz detail "A" v OBRÁZEK 6.3.
7. Umístěte sestavu láhev zvlhčovače vzduchu/adaptér do oddělení zvlhčovače vzduchu na koncentrátoru. Viz detail "B" v OBRÁZEK 6.3.
8. Připojte kyslíkové hadičky ze sestavy láhev zvlhčovače vzduchu/adaptér k přípojce kyslíkového ventilu na koncentrátoru. Viz detail "B" v OBRÁZEK 6.3.
9. Připojte vstupní hadičky kanyla/pacient k ventilu láhve zvlhčovače vzduchu. Viz detail "B" v OBRÁZEK 6.3.
10. Po připojení zkontrolujte, že kyslík prochází přes kanylu.

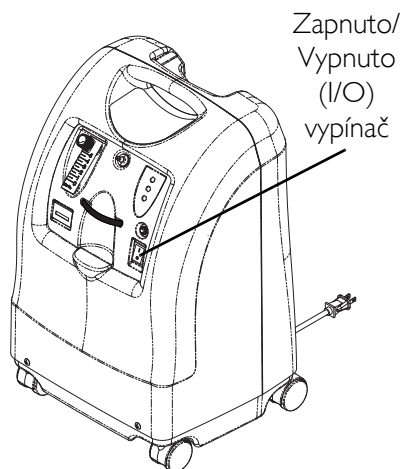


OBRÁZEK 6.3 Oddělení zvlhčovače vzduchu

Vypínač

POZNÁMKA: K provedení této procedury nahlédněte do OBRÁZEK 6.4.

1. Stlačte vypínač do polohy Zapnuto. Na jednu vteřinu se rozsvítí všechny kontrolky na panelu a zazní poplašný signál, to znamená, že přístroj správně funguje.



OBRÁZEK 6.4 Vypínač

Průtok

POZNÁMKA: K provedení této procedury nahlédněte do OBRÁZEK 6.5.

POZNÁMKA: Postarejte se, aby průtok nebyl nastaven nad ČERVENÝ kroužek. Průtok kyslíku vyšší než 5 l/min sníží koncentraci kyslíku.

1. Nastavte knoflík regulující průtok na hodnotu předepsanou Vaším lékařem nebo terapeutem.

⚠ UPOZORNĚNÍ

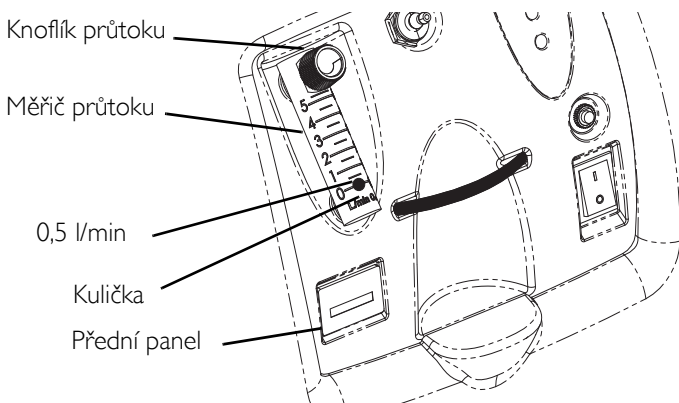
NEMĚŇTE nastavení l/min na měřiči průtoku, pokud změnu nepředepsal Váš lékař nebo terapeut.

POZNÁMKA: Abyste správně četli měřič průtoku, najděte na něm předepsanou rysku úrovně průtoku. Dále otáčejte knoflíkem regulujícím průtok dokud kulička nevystoupí k rysce. Nyní umístěte kuličku do středu předepsané rysky průtoku l/min.

POZNÁMKA: Výstraha upozorňující na možnou překážku označuje stav, který může souviset s částečným nebo úplným zablokováním kyslíkového výstupu.

2. Kdykoli se průtočné množství sledované průtokoměrem sníží po dobu delší než asi jedna minuta pod hodnotu 0,5 l/min, aktivuje se výstraha upozorňující na možnou překážku. Je to rychlé pípání zvukového poplašného zařízení. Zkontrolujte hadičky nebo příslušenství zdali nejsou hadičky zablokovány nebo zauzlovány nebo zda láhev zvlhčovače vzduchu není defektní. Po obnovení jmenovitého průtočného množství v rozsahu mezi 0,5 l/min a 0,75 l/min, se výstraha upozorňující na možnou překážku vypíná.

POZNÁMKA: Použití některých součástí příslušenství, jako například pediatrického průtokoměru PreciseRx™ a kompresoru HomeFill, má za následek deaktivaci výstrahy upozorňující na možnou překážku.



OBRAZEK 6.5 Průtok

Indikátor čistoty kyslíku SensO₂ - Model IRC5PO2AW

Tato vlastnost monitoruje čistotu kyslíku generovaného koncentrátorem kyslíku. Pokud čistota klesne pod normu nastavenou výrobcem, rozsvítí se světelný indikátor na kontrolním panelu.

Počáteční spuštění koncentrátoru

POZNÁMKA: Koncentrátor se může používat během počátečního zahřívání po zapnutí (přibližně 30 min.), zatímco čekáme, až čistota O₂ dosáhne maxima.

Když je přístroj zapnut, rozsvítí se zelená kontrolka (SYSTÉM OK/O₂ vyšší než 85%). Po pěti minutách bude sensor kyslíku pracovat normálně a bude kontrolovat světelné indikátory v závislosti na hodnotách koncentrace kyslíku.

Vysvětlení světelných indikátorů čistoty kyslíku - Model IRC5PO2AW

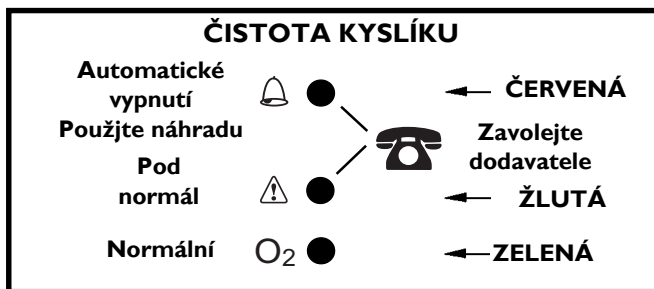
POZNÁMKA: K provedení této procedury nahlédněte do OBRAZEK 6.6 na straně 187.

ZELENÁ kontrolka (O₂) - Normální operace.

ŽLUTÁ kontrolka (⚠) - Okamžitě zavolejte dodavatele. Můžete dále používat koncentrátor, pokud Vám dodavatel nedá jiné instrukce. Ujistěte se, že náhradní kyslík je k dispozici.

ČERVENÁ kontrolka (🔔) - Přístroj nepracuje. Okamžitě přepněte na náhradní zásobu kyslíku a zavolejte dodavatele.

ZELENÁ kontrolka - s blikající ŽLUTOU kontrolkou - Okamžitě zavolejte dodavatele. Sensor kyslíku má poruchu; můžete dále používat koncentrátor.



OBRÁZEK 6.6 Vysvětlení světelných indikátorů čistoty kyslíku - Model IRC5PO2AW

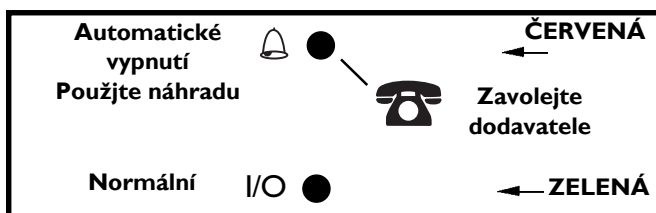
Vysvětlení světelných indikátorů - Model IRC5PAW

POZNÁMKA: K provedení této procedury nahlédněte do OBRÁZEK 6.7.

Vysvětlení světelných indikátorů pro model IRC5PAW

ČERVENÁ kontrolka (🔔) - Přístroj nepracuje. Okamžitě přepněte na náhradní zásobu kyslíku a zavolejte dodavatele.

ZELENÁ kontrolka (I/O) - Zapnuto/Vypnuto. Systém ok.



OBRÁZEK 6.7 Vysvětlení světelných indikátorů - Model IRC5PAW

Měřič uplynulého času (Hodinový měřič)

Hodinový měřič ukazuje celkový počet hodin, kdy jednotka byla v provozu.

ČÁST 7—PRŮVODCE K ŘEŠENÍ PROBLÉMŮ

SYMPTOM:	PRAVDĚPODOBNÁ PŘÍČINA:	ŘEŠENÍ:
Poplach:	Výpadek elektrického proudu:	
Krátké pípání, dlouhá přestávka	1. Elektrický kabel není zapojen do zásuvky.	1. Zapojte kabel do zásuvky.
Koncentrátor nepracuje, vypínač je v poloze Zapnuto.	2. V zásuvce není elektrický proud.	2. Zkontrolujte v domě pojistky. Pokud by se problém opakoval, použijte jinou zásuvku.
Píp.....Píp.....	3. Vypadlá pojistka.	3. Stiskněte / znovu nastavte pojistku. Pokud by se problém opakoval, zavolejte servisní oddělení.
Poplach: Nepřetržitý Koncentrátor nepracuje, vypínač je v poloze Zapnuto." Píííííííp...	Selhání systému: 1. Jednotka se přehřála, protože je zablokováno nasávání vzduchu. 2. V zásuvce není dostatek elektrického proudu. 3. Je třeba provést opravu uvnitř zařízení.	1 a. Vyndejte filtry ze skříňky a vyčistěte je. 1 b. Kyslíkový koncentrátor umístěte do vzdálenosti alespoň 30,5 cm od zdí, záclon a závěsů či nábytku. 2. NEPOUŽÍVEJTE prodlužovací kabely. Přesuňte se k jiné zásuvce nebo elektrickému okruhu. 3. Zavolejte servisní oddělení.

SYMPTOM:	PRAVDĚPODOBNÁ PŘÍČINA:	ŘEŠENÍ:
Svítil ZLUTÁ nebo ČERVENÁ kontrolka. Poplach: Nepřetržitý Svítil pouze ČERVENÁ kontrolka.	1. Nízká čistota kyslíku.*	1. Vyčistěte nebo vyměňte filtry.
	2. Zauzlené nebo zablokované hadičky, kanyla nebo zvlhčovač vzduchu.*	2. Zkontrolujte, zda nedošlo k zauzlení nebo ucpání. Opravte, vyčistěte nebo vyměňte součástku. Po opravě vypněte přístroj na 60 vteřin a pak ho opět zapněte.
	3. Měřič průtoku nastaven na 0,5 l/min *.	3. Zkontrolujte, že měřič průtoku je nastaven na hodnotu 1,0 l/min nebo více. Viz <u>Typické parametry výrobku</u> na straně 177.
* Týká se pouze modelů IRC5PO2AW.	4. Jednotka se přehřála, protože je zablokováno nasávání vzduchu.	4a. Vyndejte filtry ze skříňky a vyčistěte je 4b. Kyslíkový koncentrátor umístěte do vzdálenosti alespoň 30,5 cm od zdí, záclon a závěsů či nábytku.
	5. V zásuvce není dostatek elektrického proudu.	5. NEPOUŽÍVEJTE prodlužovací kabely. Přesuňte se k jiné zásuvce nebo elektrickému okruhu.
	6. Je třeba provést opravu uvnitř zařízení.	6. Zavolejte servisní oddělení.
ZELENA kontrolka svítí a ŽLUTÁ bliká.	1. Je třeba provést opravu uvnitř zařízení.	1. Zavolejte servisní oddělení.

SYMPTOM:	PRAVDĚPODOBNÁ PŘÍČINA:	ŘEŠENÍ:
<p>Poplach: Rychlý</p> <p>Píp....Píp... Píp....Píp...</p>	<p>Výstraha upozorňující na možnou překážku</p> <p>I a. Možná vnitřní překážka v dráze průchodu kyslíku.</p> <p>I b. Zauzlené nebo zablokované hadičky, kanyla nebo zvlhčovač vzduchu.</p> <p>I c. Měřič průtoku nastaven na 0,5 l/min.</p>	<p>I a. Zkontrolujte, zda nedošlo k zauzlení nebo ucpání. Opravte, vyčistěte nebo vyměňte součástku. Po opravě vypněte přístroj na 60 vteřin a pak ho opět zapněte.</p> <p>I b. Průtok nižší než 1 l/min se nedoporučuje.</p> <p><i>POZNÁMKA: Použitím pediatrického průtokoměru se výstraha upozorňující na možnou překážku deaktivuje.</i></p>

ČÁST 8—ÚDRŽBA

⚠ UPOZORNĚNÍ

Koncentrátory Invacare jsou specificky navrženy tak, aby se minimalizovala rutinní preventivní údržba. Pouze kvalifikovaný personál smí provádět preventivní údržbu koncentrátoru.

Při čištění vypněte koncentrátor ze zásuvky.
NESUNDÁVEJTE skříňku, zabráníte tak úrazu elektrickým proudem.

POZNÁMKA: Jako minimum MUSÍ být preventivní údržba prováděna podle směrnic záznamů o údržbě. V místech, kde je mnoho prachu nebo sazí, se údržba bude muset pravděpodobně provádět častěji. Viz Záznam preventivní údržby na straně 194.

Rutinní údržba

Čištění filtru ve skříňce

⚠ VÝSTRAHA

NEPOUŽÍVEJTE koncentrátor bez nainstalovaného filtru.

POZNÁMKA: K provedení této procedury nahlédněte do OBRÁZEK 8.1 na straně 193.

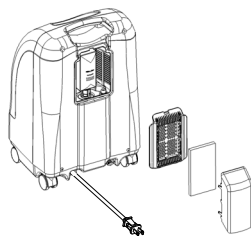
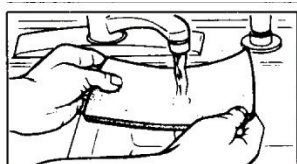
POZNÁMKA: Jeden filtr je umístěn v zadní straně skříňky.

1. Podle potřeby filtr vyndejte a vyčistěte.

POZNÁMKA: Okolní podmínky, které mohou vyžadovat častější inspekci a čištění filtru zahrnují, kromě jiného: vysokou prašnost, znečištění vzduchu, atd.

2. Vyčistěte filtr vysavačem nebo promyjte v teplé vodě s mýdlem a pečlivě propláchněte.

3. Před zpětnou instalací filtr pečlivě vysušte.



OBRÁZEK 8.1 Čištění filtru ve skříňce

Čištění skříňky

1. Skříňku vymyjte jemným čistícím prostředkem pro domácnost a měkkým hadříkem nebo houbou.

Čištění zvlhčovače vzduchu

POZNÁMKA: Při čištění kyslíkového zvlhčovače vzduchu se řiďte instrukcemi, které poskytl výrobce. Pokud takové instrukce neexistují, řiďte se následujícími KROKY:

1. Čistěte zvlhčovač vzduchu každý den.
2. Omyjte ho ve vodě s mýdlem a opláchněte roztokem, který obsahuje deset dílů vody a jeden díl octa.
3. Opláchněte pečlivě horkou vodou a naplňte destilovanou vodou na úroveň udanou na zvlhčovači vzduchu.

MODEL Č. IRC _____

SÉRIE Č. _____



Yes, you can!

ZÁZNAM PREVENTIVNÍ ÚDRŽBY

PŘI KAŽDÉ INSpeKCI											
Zapište datum servisu											
Zapište počet uplynulých hodin na měřiči hodin											
Vyčistěte filtry ve skřínce											
Zkontrolujte předepsanou hladinu průtoku v l/min											
BĚHEM PLÁNOVANÉ PREVENTIVNÍ ÚDRŽBY NEBO MEZI DVĚMA PACIENTY											
JEDNOTKY BEZ TECHNOLOGIE SensO₂ - KAŽDÝCH 4380 PROVOZNÍCH HODIN											
Zkontrolujte koncentraci kyslíku											
Vyčistěte / vyměňte filtry ve skřínce											
Zkontrolujte ventil HEPA filtrů*											
Zkontrolujte filtr v sacím ventilu kompresoru*											
Zkontrolujte poplašný signál při výpadku elektrického proudu											
JEDNOTKY S TECHNOLOGIE SensO₂ - KAŽDÝCH 26 280 PROVOZNÍCH HODIN NEBO 3 ROKY, COKOLIV NASTANE JAKO PRVNÍ											
Zkontrolujte koncentraci kyslíku											
Vyčistěte / vyměňte filtry ve skřínce											
Zkontrolujte ventil HEPA filtrů*											
Zkontrolujte filtr v sacím ventilu kompresoru*											
Zkontrolujte poplašný signál při výpadku elektrického proudu											

*OBRÁZEK: Viz část Preventivní údržba v Návodu k obsluze.

OBRÁZEK:

4380 provozních hodin je ekvivalent použití 24 hodin denně, 7 dní v týdnu, po dobu 6 měsíců.

26 280 provozních hodin je ekvivalent použití 24 hodin denně, 7 dní v týdnu, po dobu 3 let.

OBRÁZEK 8.2 Záznam preventivní údržby

ČÁST 9—ZVLÁŠTNÍ PŘÍSLUŠENSTVÍ

K dispozici jsou také následující zvláštní příslušenství:

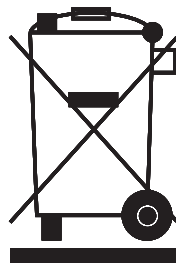
- Standardní nosní kanyla pro dospělé, 2,1m (7 stop) - M3120
- Standardní zvlhčovač vzduchu - M5120
- PreciseRX™ dětský zvlhčovač vzduchu / příslušenství k měřiči průtoků - IRCPF16AW
- HomeFill domácí kompresor kyslíku - IOH200AW

INFORMACE O RECYKLOVÁNÍ

Tento produkt dodává výrobce, který si je vědom ochrany životního prostředí a dodržuje předpisy Waste Electrical and Electronic Equipment (O správném odstraňování elektrického a elektronického zařízení) (WEEE) Direktiva 2002/96/CE..

Tento produkt může obsahovat látky, které mohou být škodlivé životnímu prostředí, pokud budou likvidovány v místech (skládkách) podle zákona nevhodných.

Na tento výrobek jsme umístili symbol "přeškrtnutý odpadkový koš", abychom podpořili recyklování, pokud je to možné.



Prosíme, abyste se chovali zodpovědně k životnímu prostředí a recyklovali tento produkt až nebude dále použitelný, ve svém recyklovacím zařízení.

CUSTOMER SERVICE AND WARRANTY INFORMATION

Terms and conditions of the warranty are part of the general terms and conditions particular to the individual countries in which this product is sold.

SERVICE APRÈS-VENTE ET INFORMATIONS DE GARANTIE

Les modalités et conditions de la garantie font partie des modalités et conditions générales spécifiques aux différents pays de vente du produit.

INFORMAZIONI SUL SERVIZIO ASSISTENZA AL CLIENTE E SULLA GARANZIA

I termini e le condizioni della garanzia sono parte integrante delle condizioni generali e le condizioni specifici per i singoli paesi in cui questo prodotto viene commercializzato.

KUNDENINFORMATION ÜBER SERVICE UND WARTUNGEN

Die Garantiebedingungen sind Teil der Allgemeinen Geschäftsbedingungen für die einzelnen Länder, in denen dieses Produkt vertrieben wird.

INFORMACJE DOTYCZĄCE OBSŁUGI KLIENTA I GWARANCJI

Warunki i postanowienia gwarancji są częścią ogólnych warunków i postanowień obowiązujących w poszczególnych krajach, w których produkt jest sprzedawany.

ZÁKAZNICKÝ SERVIS A INFORMACE O ZÁRUČE

Záruční podmínky jsou součástí konkrétních všeobecných podmínek platných v jednotlivých zemích, ve kterých se tento výrobek prodává.

Belgium & Luxemburg:

Invacare nv, Autobaan 22, B-8210 Loppem • Tel: (32) (0) 50 83 10 10 •
Fax: (32) (0) 50 83 10 11 • belgium@invacare.com • www.invacare.be

Danmark:

Invacare A/S, Sdr. Ringvej 37, DK-2605 Brøndby • Tel: (45) (0)36 90 00 00 •
Fax: (45) (0)36 90 00 01 • denmark@invacare.com • www.invacare.dk

Deutschland:

Invacare GmbH, Alemannenstraße 10, D-88316 Isny • Tel: (49) (0)75 62 7 00 0 •
Fax: (49) (0)75 62 7 00 66 • kontakt@invacare.com • www.invacare.de

European Distributor Organisation:

Invacare, Kleiststraße 49, D-32457 Porta Westfalica • Tel: (49) (0)57 31 754 540 •
Fax: (49) (0)57 31 754 541 • edo@invacare.com • www.invacare.eu.com

España:

Invacare SA, c/Areny s/n, Polígon Industrial de Celrà, E-17460 Celrà (Girona) •
Tel: (34) (0)972 49 32 00 • Fax: (34) (0)972 49 32 20 • contactsp@invacare.com •
www.invacare.es

France:

Invacare Poirier SAS, Route de St Roch, F-37230 Fondettes • Tel: (33) (0)2 47 62 64 66 •
Fax: (33) (0)2 47 42 12 24 • contactfr@invacare.com • www.invacare.fr

Ireland:

Invacare Ireland Ltd, Unit 5 Seatown Business Campus • Seatown Road, Swords,
County Dublin – Ireland • Tel: (353) 1 810 7084 • Fax: (353) 1 810 7085 •
ireland@invacare.com • www.invacare.ie

Italia:

Invacare Mecc San s.r.l., Via dei Pini 62, I-36016 Thiene (VI) • Tel: (39) 0445 38 00 59 •
Fax: (39) 0445 38 00 34 • italia@invacare.com • www.invacare.it

Nederland:

Invacare BV, Celsiusstraat 46, NL-6716 BZ Ede • Tel: (31) (0)318 695 757 •
Fax: (31) (0)318 695 758 • nederland@invacare.com • csede@invacare.com •
www.invacare.nl

Norge:

Invacare AS, Grensesvingen 9, Postboks 6230, Etterstad, N-0603 Oslo •
Tel: (47) (0)22 57 95 00 • Fax: (47) (0)22 57 95 01 • norway@invacare.com •
island@invacare.com • www.invacare.no

Österreich:

Invacare Austria GmbH, Herzog Odilostrasse 101, A-5310 Mondsee •
Tel: (43) 6232 5535 0 • Fax: (43) 6232 5535 4 • info@invacare-austria.com •
www.invacare.at

Sverige & Suomi:

Invacare AB, Fagerstagatan 9, S-163 91 Spånga • Tel: (46) (0)8 761 70 90 •
Fax: (46) (0)8 761 81 08 • sweden@invacare.com • finland@invacare.com •
www.invacare.se

Switzerland:

Invacare AG, • Benkenstrasse 260, CH-4108 Witterswil • Tel: (41) (0)61 487 70 80 •
Fax: (41) (0)61 487 70 81 • switzerland@invacare.com • www.invacare.ch

United Kingdom:

Invacare Limited, Pencoed Technology Park, Pencoed, Bridgend CF35 5HZ •
Tel: (44) (0) 1656 776222 • Fax: (44) (0) 1656 776220 • UK@invacare.com •
www.invacare.co.uk

Portugal:

Invacare Lda • Rua Estrada Velha, 949, P-4465-784 Leça do Balio •
Tel: (351) (0)225 1059 46/47 • Fax: (351) (0)225 1057 39 • portugal@invacare.com •
www.invacare.pt

NOTES

NOTES

NOTES

NOTES



Yes, you can.

Invacare Corporation

www.invacare.com

USA

One Invacare Way
Elyria, Ohio USA
44036-2125
440-329-6000
800-333-6900
Technical Services
440-329-6593
800-832-4707

Manufacturer:
Invacare Rehabilitation
Equipment (Suzhou) Co.,
Ltd.
No. 435 Xieyu Street, SIP,
Suzhou, Jiangsu, PRC
215026
Tel: 86-512-62586180
Fax: 86-512-62586167



EC	REP
----	-----

Invacare Deutschland GmbH
Kleiststraße 49, D-32457
Porta Westfalica
Tel: (49) (0) 5731 754 0
Fax: (49) (0) 5731 754 52191

© 2012 Invacare Corporation. All rights reserved. Reproduction, duplication or modification in whole or in part is prohibited without prior written permission from Invacare. Trademarks are identified by TM and [®]. All trademarks are owned by or licensed to Invacare Corporation or its subsidiaries unless otherwise noted.



Part No I163145



Rev E- 10/12

